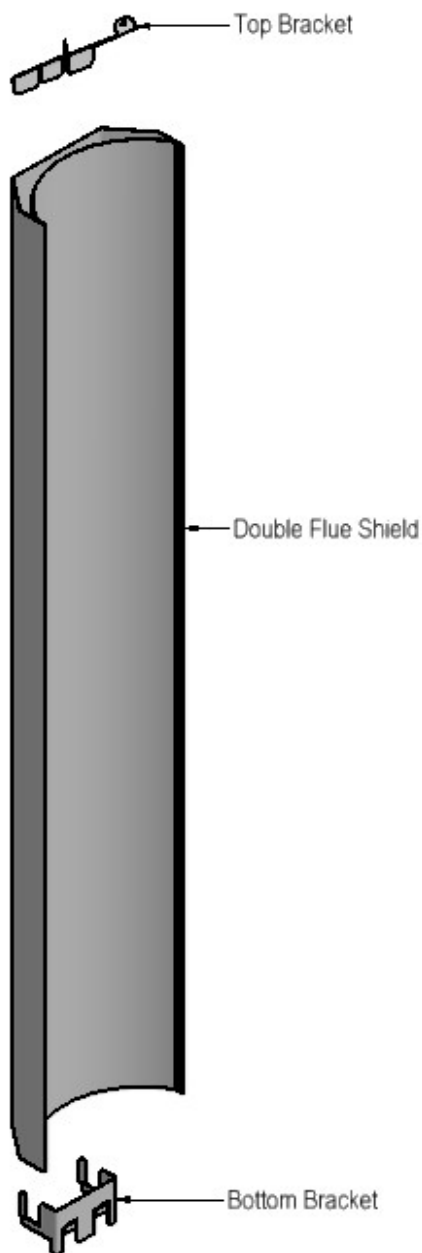


Double Flue Shield Assembly .

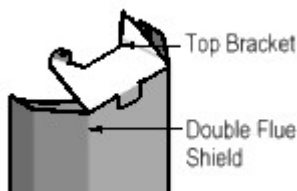
Installation Guide Only

Assembly Guide .

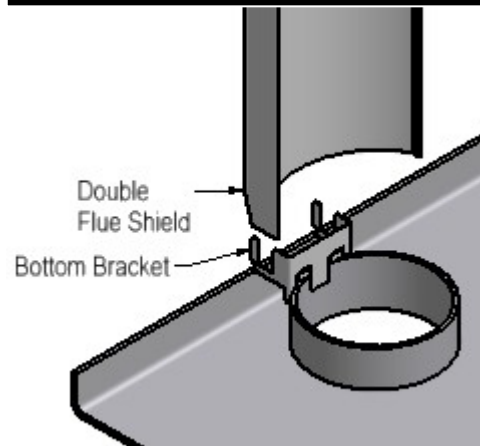
1. Remove Flue Shield & Brackets from packaging .
2. Peel Plastic off the back of the Flue Shield .
3. Using a Sharp Knife run blade along the length of shield along the inner seams where the inner shield meets the outer shield & peel Plastic Coating off .
4. Fit the Bottom Bracket to the Fireplace & place flue Shield in the Bottom Bracket as Illustrated .(If a large gap is left between the Flue Shield & the top of the Fire it will Create a HOTSPOT on the wall behind , bend the two tabs on the Bottom Bracket to lower the Flue Shield).
5. Fit Top Bracket to Flue Shield & mark & drill two holes through the two holes in the tabs & Secure to Flue with Stainless Steel or Monel Rivets .



Top Bracket



Bottom Bracket



Visit www.warmington.co.nz for Spec's, DWG's and PDF uploads of fires

Flue System and Instructions to Comply with ASNZS 2918:2001

Keep these Instructions for further reference.....Ensure that you have the correct and current Installation details for the Warmington Fire

Installation

The Warmington unit is to be Installed by a Certified Warmington Installer or a Certified NZHHA SFAIT Installation Technician .
See www.homeheat.co.nz/members for a Certified NZHHA SFAIT Installer in your area .

IMPORTANT

Read all the Instructions carefully before commencing the Installation. Failure to follow these Instructions may result in a Fire Hazard and void the warranty