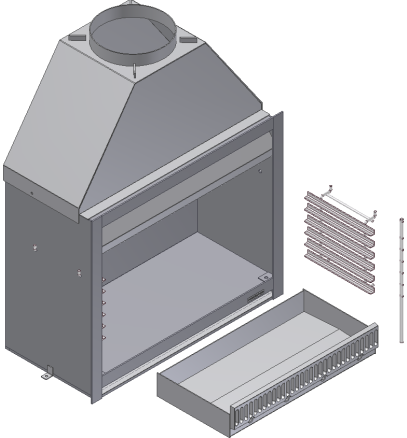


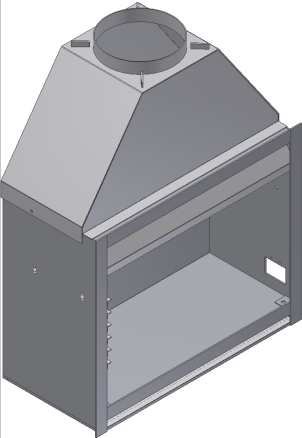
Fitment of Rail Burner into Nouveau Firebox

STEP 1

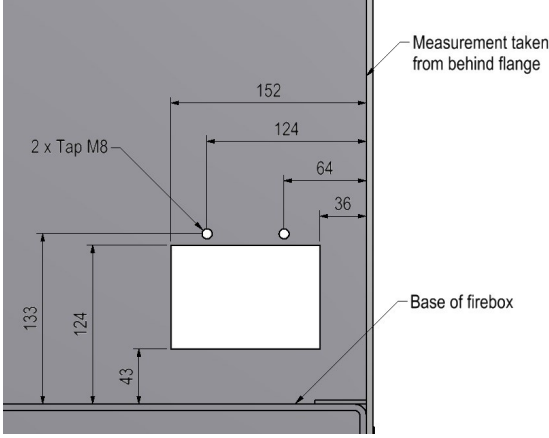


Remove Ash Pan, Rack & Davit Rod from Firebox

STEP 2



HOLE LAYOUT FOR RAIL BURNER



Cut Out Holes and Square to Fit Rail Burner - See Hole Layout

STEP 3

Put Ash Pan & Davit Rod back in the Firebox.

STEP 4

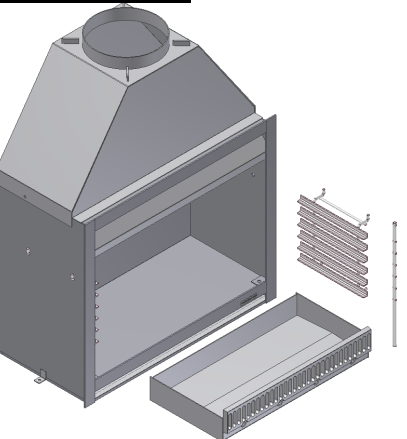
Fit Gas Rail Burner into Firebox.

STEP 5

Put Rack back in Firebox.

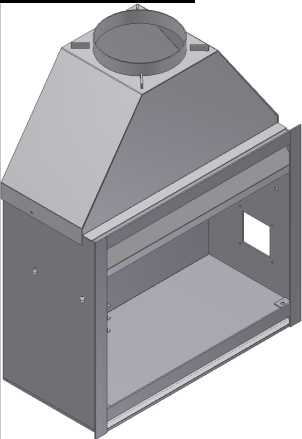
Fitment of Gas Flare into Nouveau Firebox

STEP 1

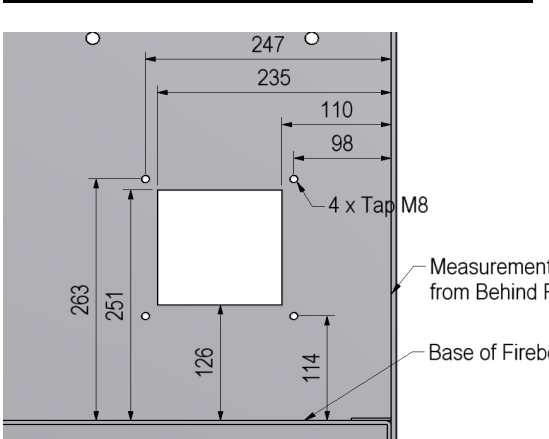


Remove Ash Pan, Rack & Davit Rod from Firebox.

STEP 2



HOLE LAYOUT FOR FLARE BURNER



Cut out holes and square to fit Gas Flare - see hole layout.

STEP 3

Put Ash Pan & Davit Rod back In the Firebox.

STEP 4

Fit Gas Flare into Firebox.

STEP 5

Put Rack back in the Firebox.

Due to continued product improvement, Warmington Ind LTD reserves the right to change product specifications without prior notification.