

Freestanding Kiwi Grill

Outdoor South-American Style BBQ Cooking Wood Fire

Installation Instructions



Visit www.warmington.co.nz for specs, DWGs and PDF uploads of fires

BBQ and instructions to comply with ASNZS 2918:2001 & Building Code C/AS1 7.5 Open Fires

Keep these instructions for further reference. Ensure that you have the correct and current installation details for the Warmington Fire.

Installation

The Warmington unit is to be installed by a certified Warmington installer or an approved NZHHA installation technician.

IMPORTANT

Read all the instructions carefully before commencing the installation. Failure to follow these instructions may result in a fire hazard and void the warranty.

Due to continued product improvement, Warmington Ind LTD reserves the right to change product specifications without prior notification.

All dimensions are in mm

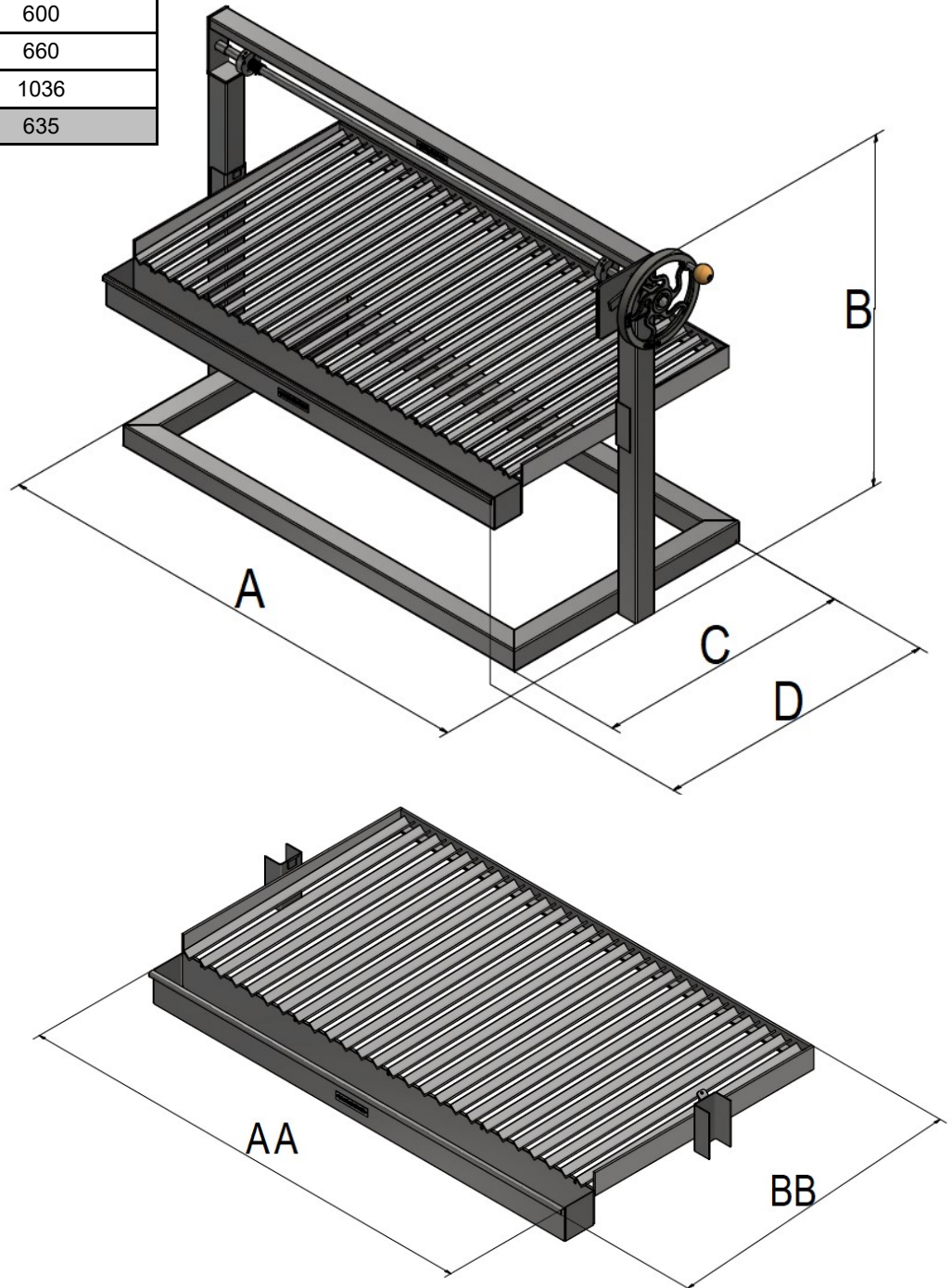
Copyright

GENERAL INFORMATION

The Warmington Freestanding Kiwi Grill is an outdoor wood fire cooking appliance designed to be freestanding. The appliance comes with an adjustable barbeque grill. Operation and maintenance instructions are available at www.warmington.co.nz.

1.1 KIWI GRILL DIMENSIONS

Description		Kiwi Grill BBQ
Firebox width	A	1145
Firebox height	B	855
Firebox Base depth	C	600
Firebox Overall depth	D	660
Grill width	AA	1036
Grill depth	BB	635



Due to continued product improvement, Warmington Ind LTD reserves the right to change product specifications without prior notification.

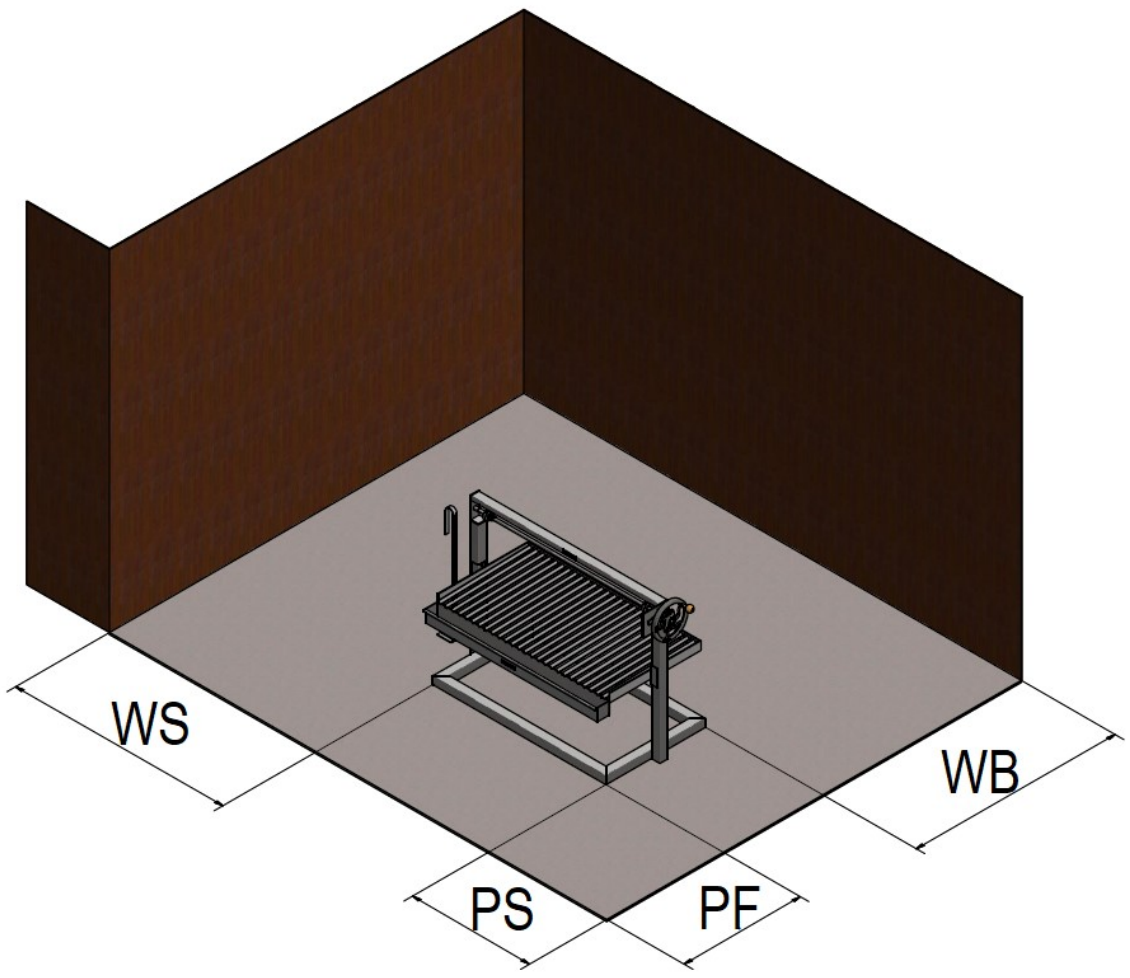
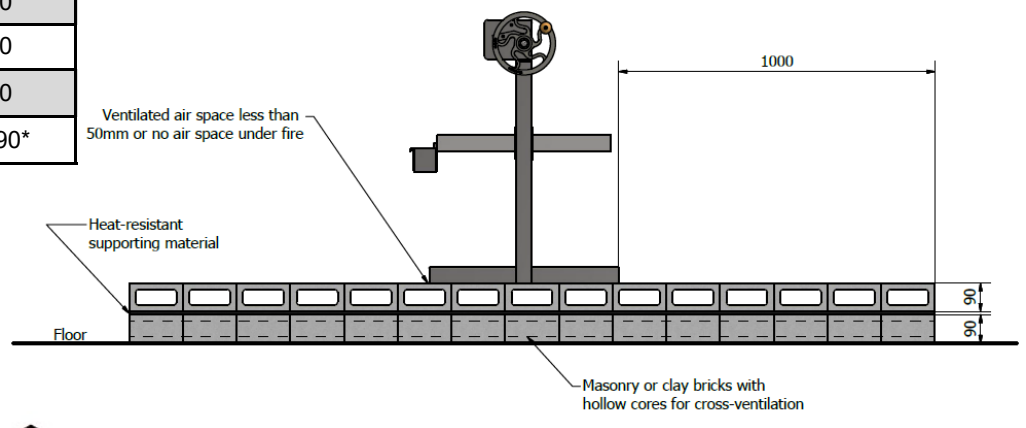
All dimensions are in mm

Copyright

1.2 MINIMUM CLEARANCES TO COMBUSTIBLE MATERIAL WHEN OPERATING THE KIWII GRILL BBQ

Description		Kiwi Grill
Wall clearance side	WS	1200
Wall clearance back	WB	1200
Hearth projection side	PS	1000
Hearth projection front	PF	1000
Plinth thickness		90 + 90*

***Plinth detail**
 Plinth will have to be installed as per untested appliance in accordance with 2918, most current version, refer to section 3.3 figure 3.3.



Important notes:

Installation scenario shown is an example only.

The installation is an untested situation (AS/NZS 2918). Clearances may be reduced by installing heatshields on combustible walls. AS/NZS 2918 heat shield requirements apply.

NOTE All area under the Freestanding Kiwi Grill when in use, must be non-combustible material.

Due to continued product improvement, Warmington Ind LTD reserves the right to change product specifications without prior notification.

GENERAL NOTES:

- **NOTE** This appliance is for outdoor use only.
- Fire operational and maintenance instructions can be downloaded from www.warmington.co.nz
- Warranty - for full details on product warranties, contact your local authorised Warmington retailer.
- Correct installation, operation and maintenance must be maintained to comply with Warmington warranty.
- The appliance and flue system must be installed in accordance with AS/NZS2918:2001 and the appropriate building codes.

TREATMENT OF COOKING SURFACES BEFORE USE

BURN OFF:

ENSURE THAT THE OUTDOOR FIRE IS WELL VENTILATED WHEN LIGHTING FOR THE FIRST TIME, and operate fire on high for up to 5 minutes.

Cooking may proceed after the surface has been carefully wiped down with a cloth or paper towel, and before cooking on the plate or grill for subsequent times, burn off any residual oils or foreign matter by lighting or igniting the fire or Burner.

PREHEATING:

It is necessary to preheat for a short time before cooking certain foods, depending on the type of food & the cooking temperature.

AFTER USE:

Do NOT cool or put out the fire after use with water. This will damage the grill, cause rust and could be harmful to people standing close by the fireplace.

WARNINGS:

- **WARNING: THE APPLIANCE SHALL BE INSTALLED IN ACCORDANCE WITH AS/NZS 2918 AND THE APPROPRIATE REQUIREMENTS OF THE RELEVANT BUILDING CODE OR CODES**
- **ANY MODIFICATION OF THE APPLIANCE THAT HAS NOT BEEN APPROVED IN WRITING BY THE TESTING AUTHORITY IS CONSIDERED TO BE IN BREACH OF THE APPROVAL GRANTED FOR COMPLIANCE WITH AS/NZS 4013.**
- CAUTION: MIXING OF APPLIANCE COMPONENTS FROM DIFFERENT SOURCES OR MODIFYING THE DIMENSIONAL SPECIFICATION OF COMPONENTS MAY RESULT IN HAZARDOUS CONDITIONS. WHERE SUCH ACTION IS CONSIDERED, THE MANUFACTURER SHOULD BE CONSULTED IN THE FIRST INSTANCE.
- CAUTION: CRACKED AND BROKEN COMPONENTS MAY RENDER THE INSTALLATION UNSAFE.

NOTE: For operating instructions download from the website

www.warmington.co.nz



Industries 1994 LTD

PO Box 58652, Botany 2163, Auckland

Due to continued product improvement, Warmington Ind LTD reserves the right to change product specifications without prior notification.

All dimensions are in mm

Copyright