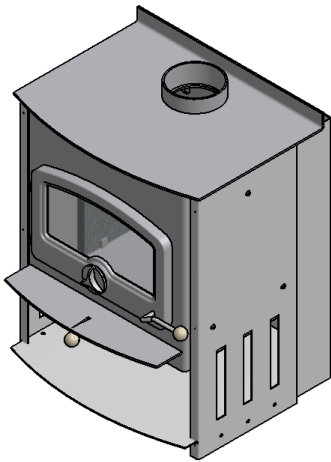


Southern Series Door Glass Fitment

NOTE: Door Glass is not covered by Warranty

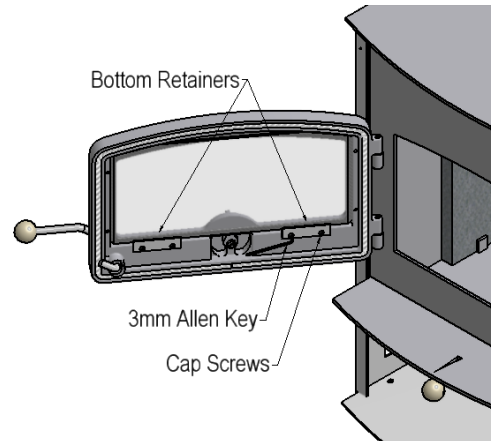
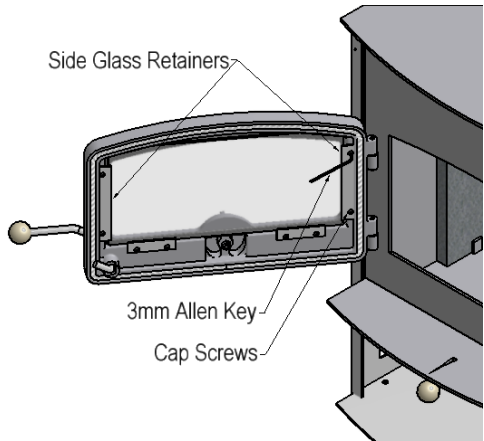
No: 1

The Southern Series Door Glass is a special heat resistance glass designed for use in Fires.



No: 2

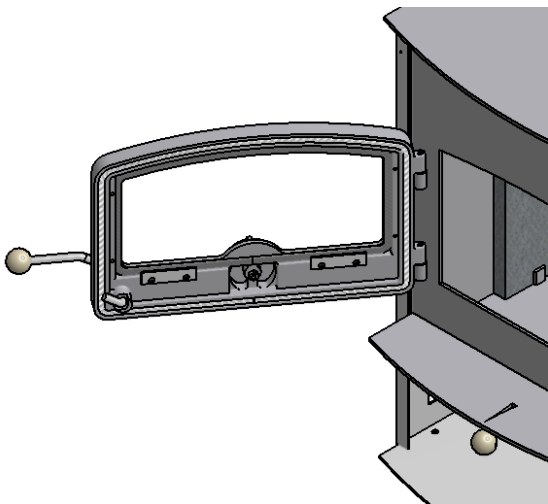
The glass can be replaced with the door still fitted to the Fire. Remove the cap screws & retainers on the sides of the door that hold the glass in position, then loosen the cap screws & bottom retainers enough to be able to remove glass.



Tools - required but not supplied:	
3mm Allen Key	1 x

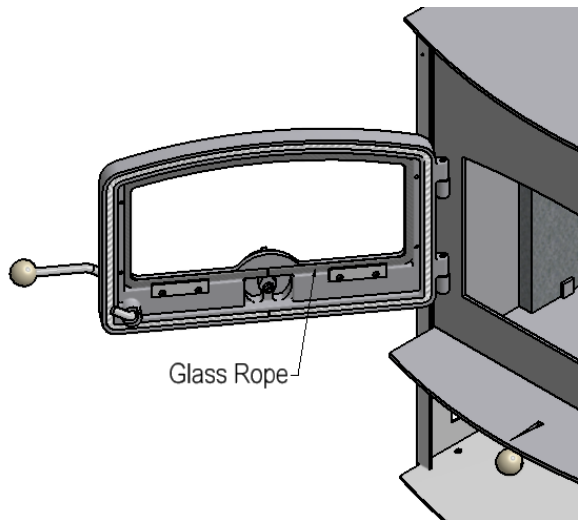
No: 3

Remove the Glass. The bottom retainers should still be in position & loosened enough to do so.



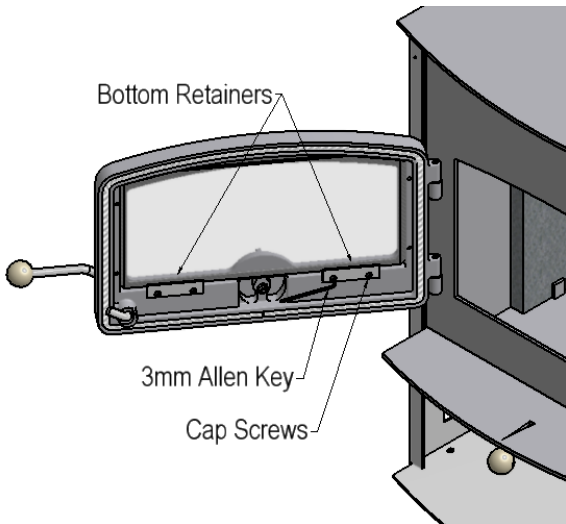
No: 4

Ensure that both glass rope and surfaces are clean before replacing with the new glass.



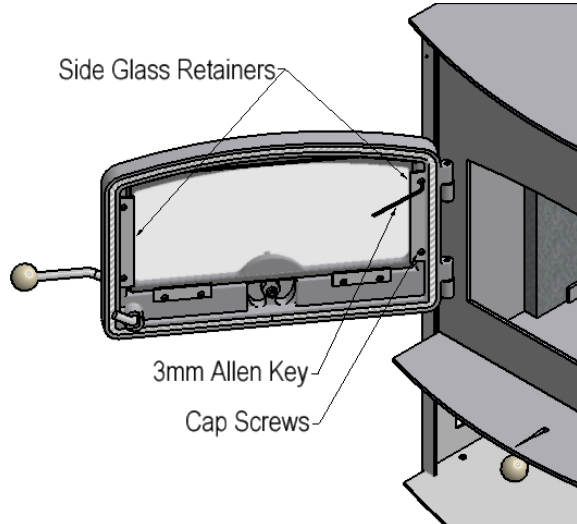
No: 5

Place the new glass into the door at the bottom and push against glass rope. Nip up bottom cap screws with a 3mm Allen Key to hold glass in place.



No: 6

Fit the side retainers back onto the door with the cap screws. Nip up cap screws ensuring not to over tighten as this may crack/break the glass.



IMPORTANT: DO NOT OVER TIGHTEN AS GLASS MAY CRACK/BREAK.

