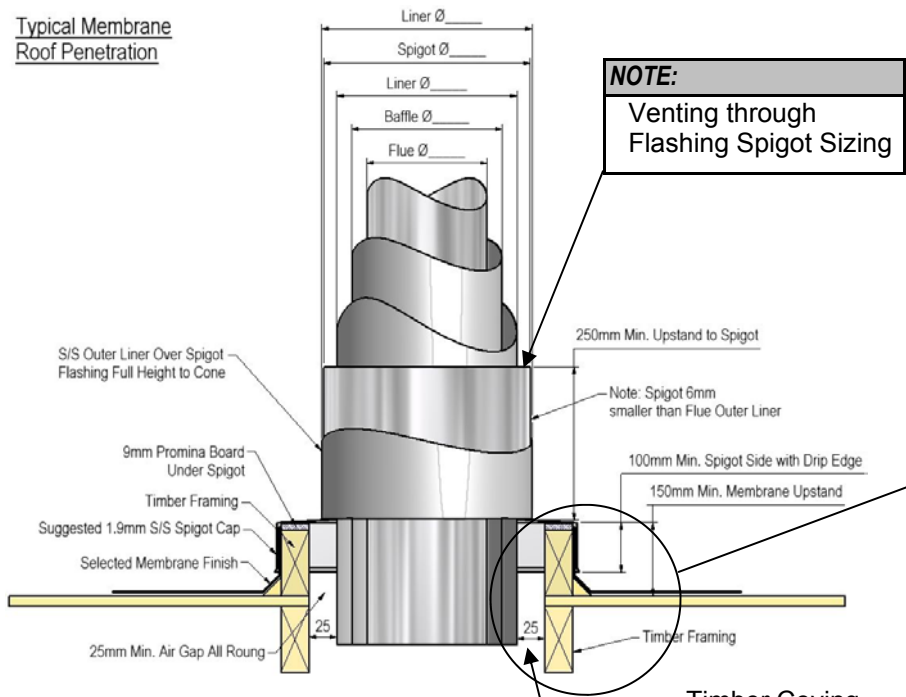
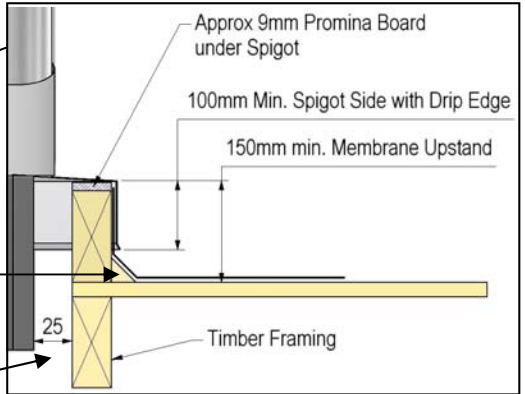
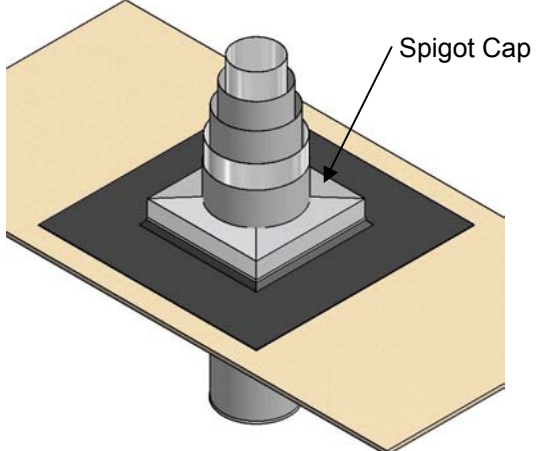


Suggested Membrane Roof Penetration & Flashing Venting Method - Concept Only

Typical Membrane Roof Penetration



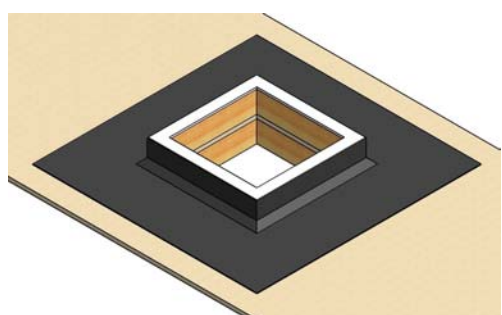
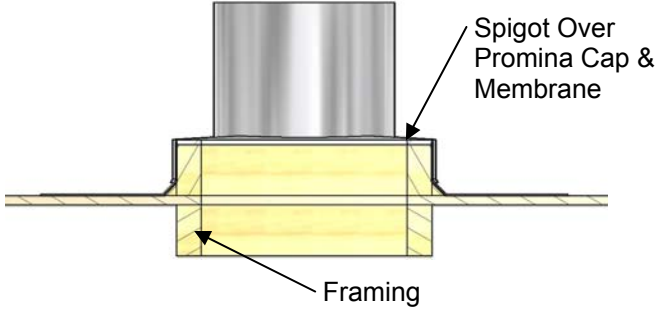
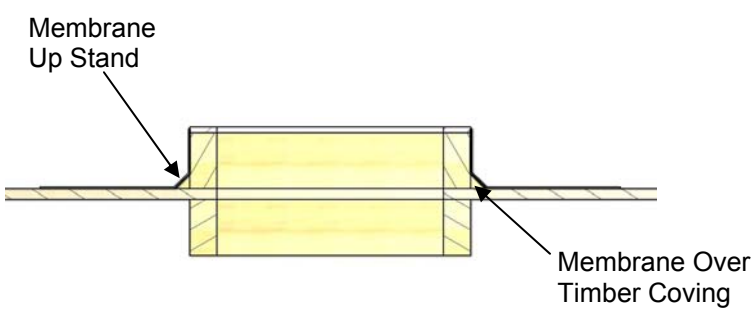
NOTE:
Venting through Flashing Spigot Sizing



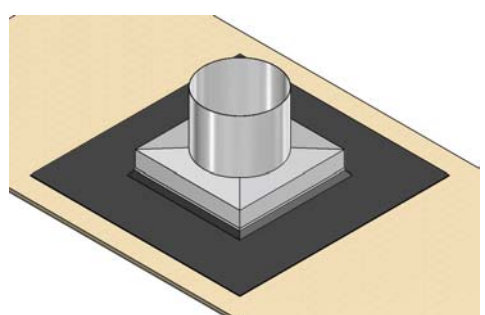
TIMBER FRAME DETAIL

FLASHING SPIGOT DETAIL

NOTE:
50mm Clearance Required for Single Lined Flue System



Frame Out View Showing Membrane



Frame Out Showing Spigot Flashing