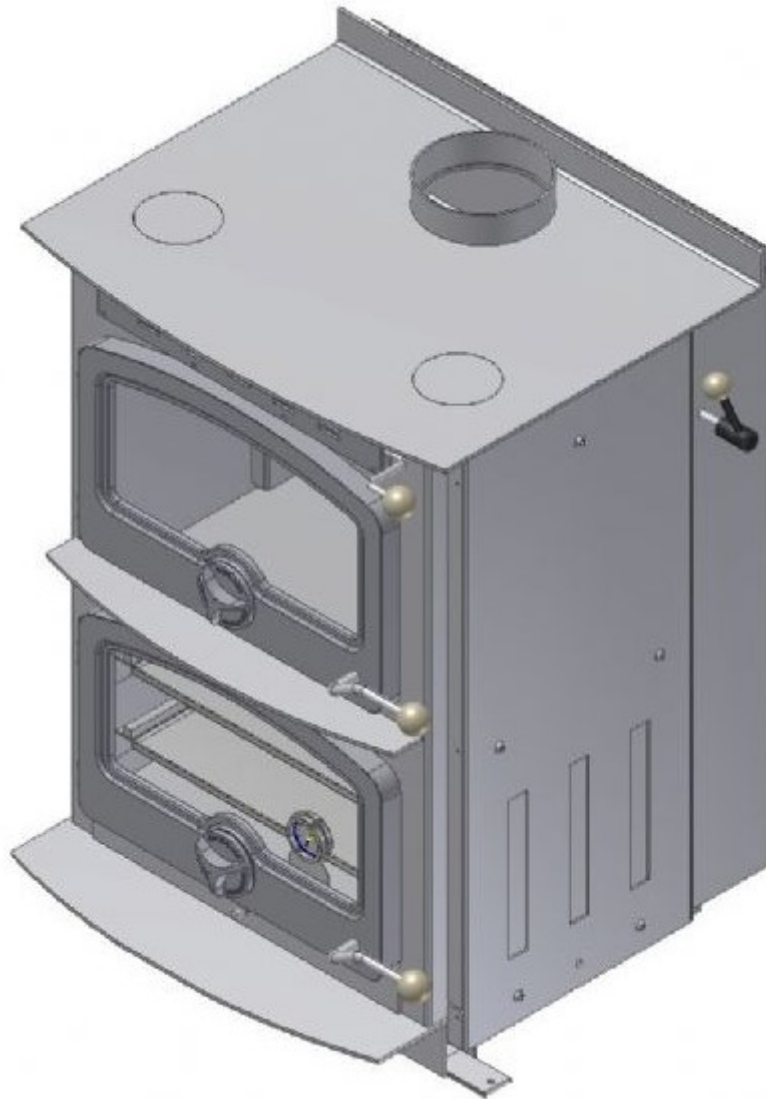
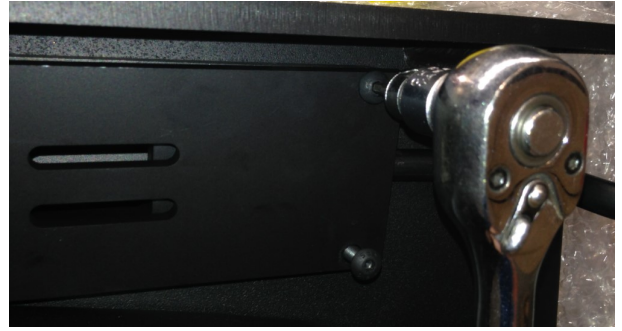


# ***CARDRONA AIR SLIDE SPACER***

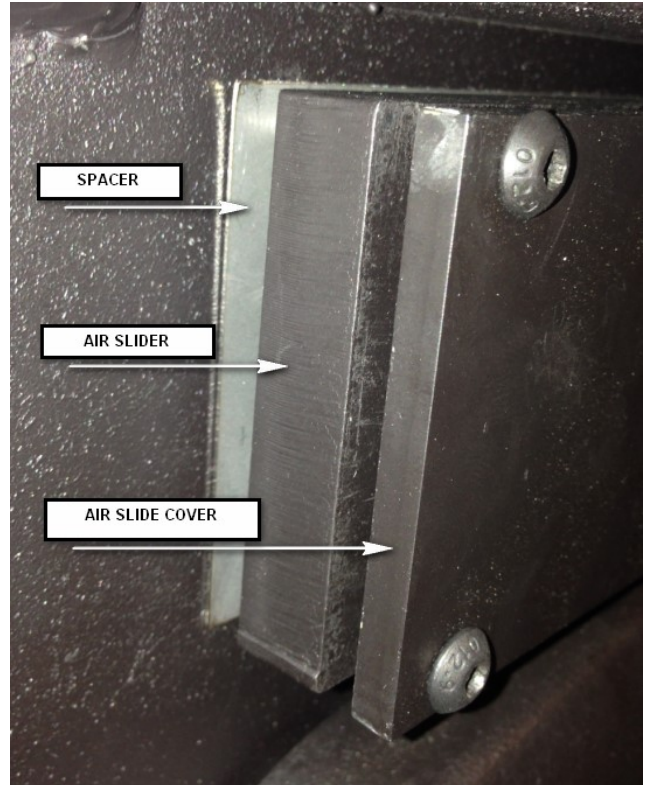
## **General Instructions**



**REMOVE ALL THE CAP SCREWS ON THE AIR SLIDER COVER. CAREFUL NOT TO STRIP THE HEAD.**



**PLACE THE SPACER BETWEEN THE FIREBOX AND THE AIR SLIDER**



**DO UP THE CAPSCREWS. (ENSURE NOT TO STRIP THE HEAD OF THE CAP SCREWE OR TO CROSS THREAD) CHECK THE AIR SLIDE HANDLE FOR FREEDOM OF MOVEMENT.**

