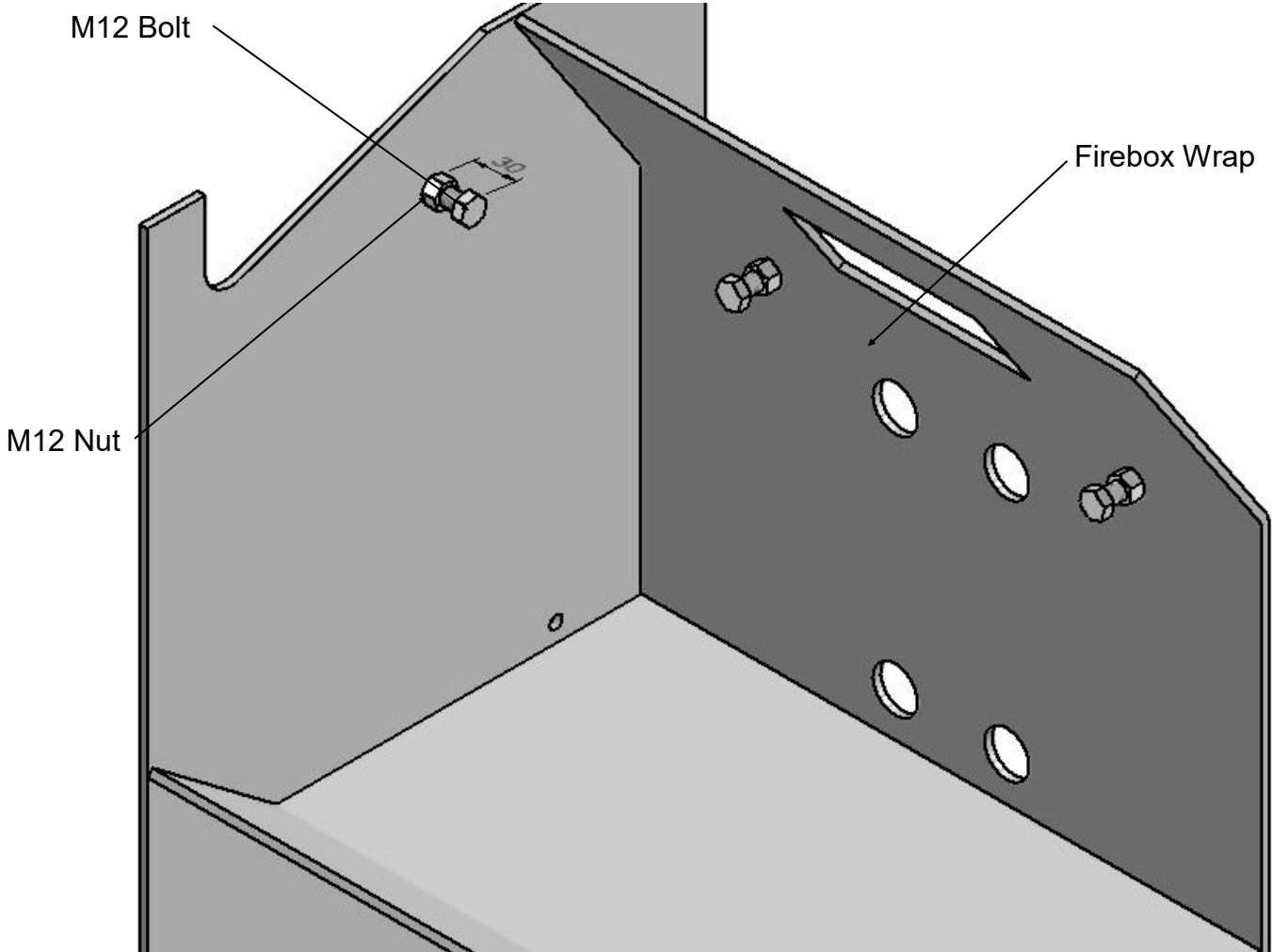


# Cardrona Cooker Baffle Support Pins Replacement

## Installation Instructions



Instructions
1. Mark Hole Centres
2. Drill Ø3mm Pilot (NOT Supplied) Then Drill with Ø10mm Drill Bit
3. Tap Holes with M12 Tap
4. Fit M12 x 30 Bolt. *Lock In Place with Nut
5. Set to 30mm From Inside Face of Firebox to Head of Bolt

Parts List	
1. 4 x M12 x 30 Bolt & Nut	
2. M12 Tap	
3. Ø10mm Drill	
4. Crescent (Not Supplied)	
5. Tapping Paste	

Due to continued product improvement, Warmington Ind LTD reserves the right to change product specifications without prior notification.