

Cardrona Cooker Rural Kit Gasket

Installation Instructions

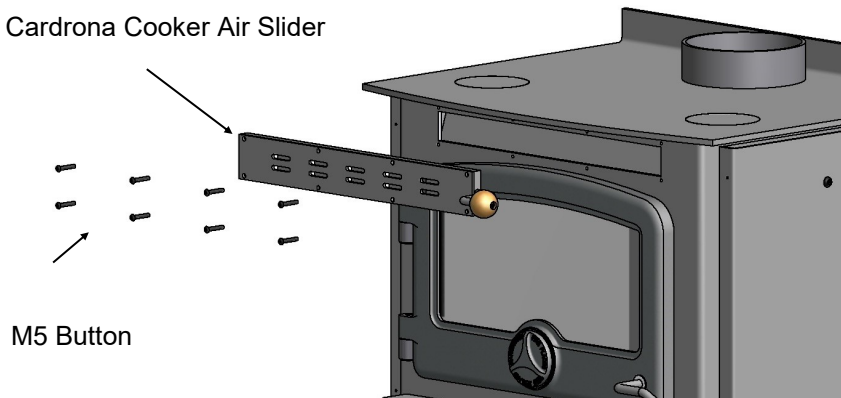
Note : The Rural Gasket when fitted, will reduce the air intake and reduce the draft through the unit. This is done at the discretion of the owner of the Installer.

A Rural Gasket may be required to be fitted to the installation by the manufacture if and when:

- Excessive draft is present.
- Excessive flue length (above the tested length), any other installation that will cause excessive draft and over firing of the unit, Etc.

Fitting the Rural Gasket Kit will not Void the Warrantee. Removal of the Rural Gasket, if fitted may Void the Warrantee.

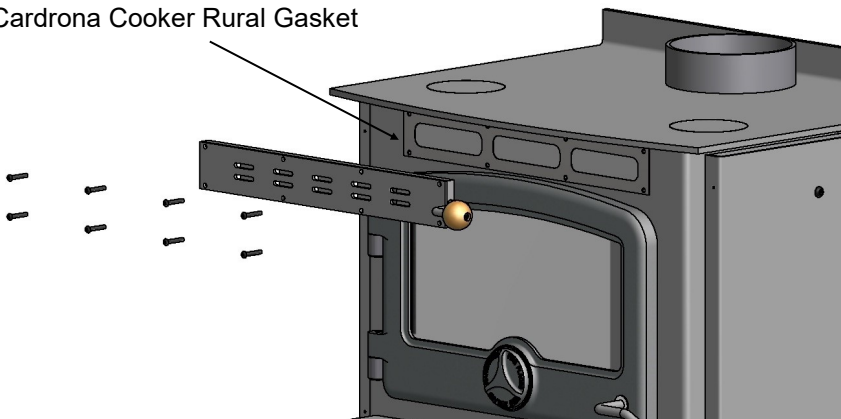
Cardrona Cooker Air Slider



STEP 1

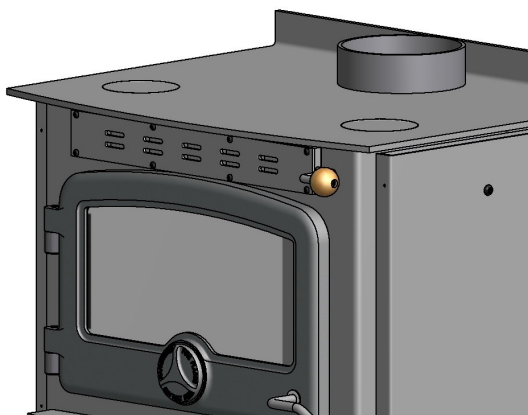
Remove 8 Off M5 Button Head Cap Screws.
Then Remove Cardrona Cooker Air Slider.

Cardrona Cooker Rural Gasket



STEP 2

Place Cardrona Cooker Rural Gasket on front face of fire.
Line up the screw holes on the gasket with the screw holes on the fire.



STEP 3

Fit the Cardrona Cooker Air Slider back to the fire over the top of the Gasket.

Parts List

Cardrona Cooker Rural Gasket	
5mm Allen Key (Not Supplied)	

Due to continued product improvement, Warmington Ind LTD reserves the right to change product specifications without prior notification.