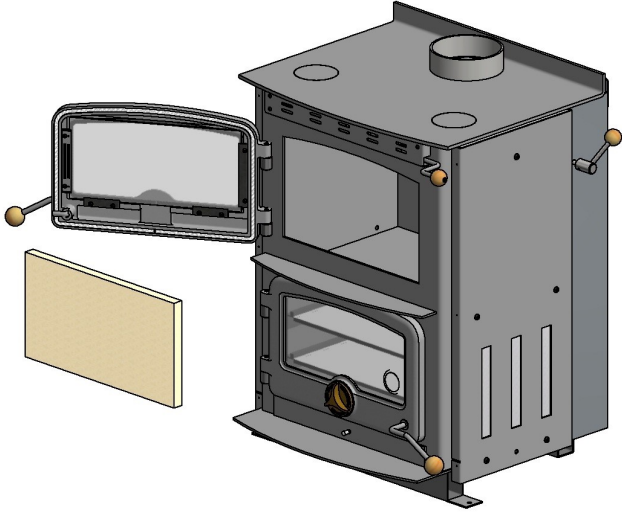


Cardrona Cooker Vermiculite Brick Fitment

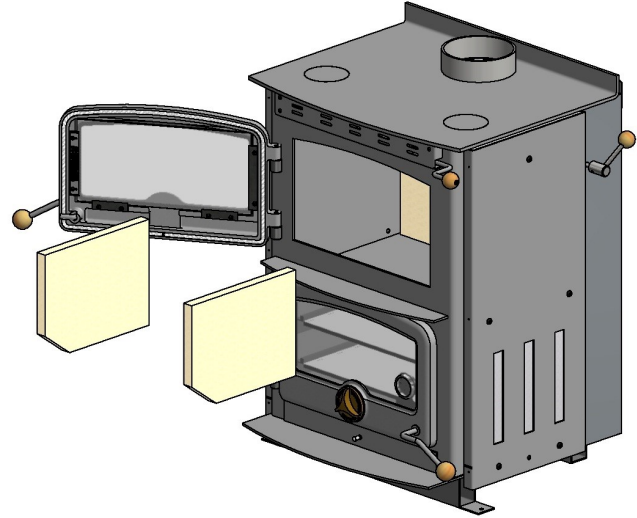
Installation Instructions

VERMICULITE BRICK FITMENT - STEP 1



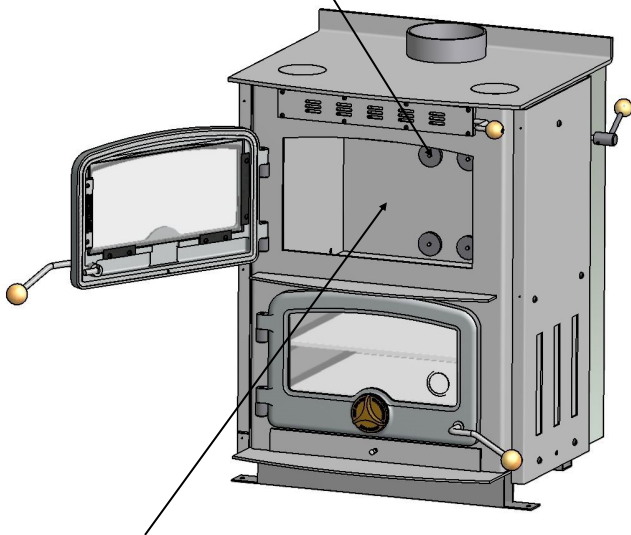
Fit the back brick first. Sitting it hard back against the wet back plugs.

VERMICULITE BRICK FITMENT - STEP 2

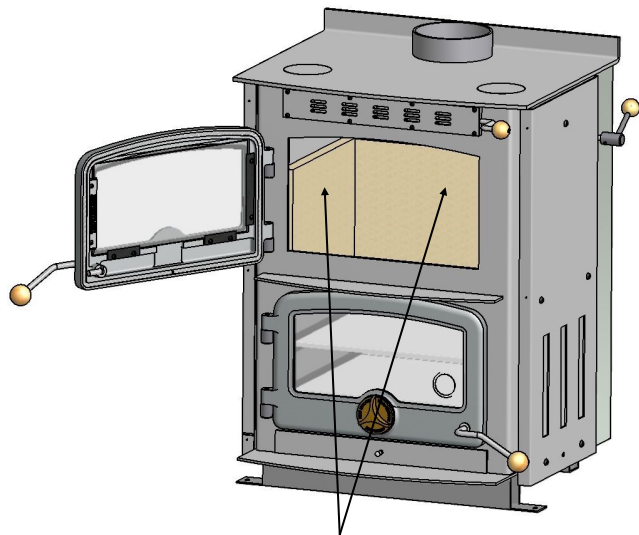


Once the back brick is in place, Fit the side bricks. Sitting them hard against the back brick and side walls of the firebox. There should be a 25mm gap from the front.

Wet Back Plugs



Note:
Cardrona Cooker can only have bricks if there is no wet back inserted



Note:
Once fire is operational and ash is in the base of the firebox, the bricks will be supported.