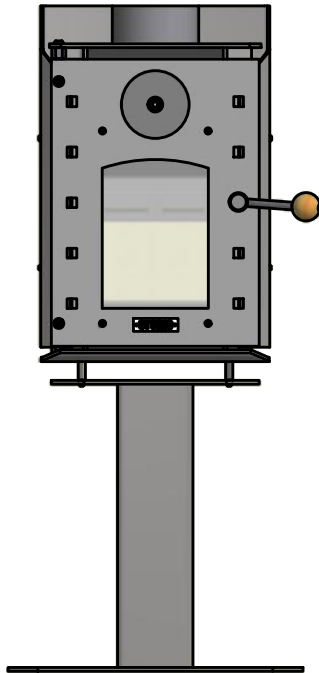
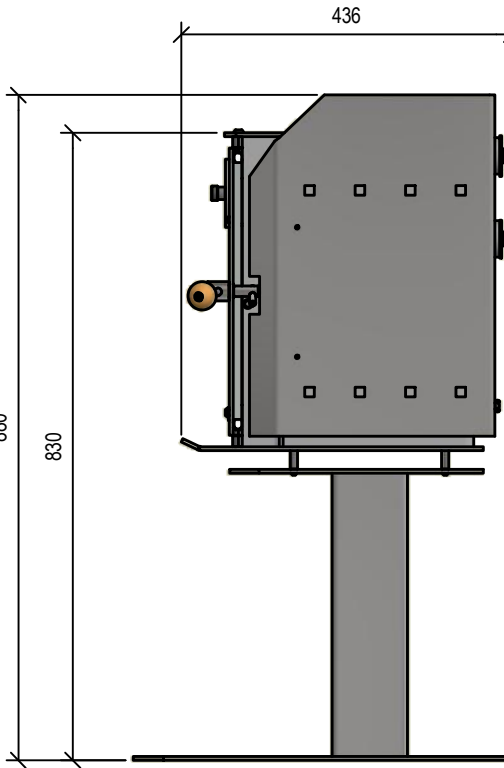


PLAIN VIEW



ELEVATION VIEW



SIDE VIEW

Warmington Compact Studio Fire - Pedestal

Warmington Compact Studio Fire.

Fire & Flue System to comply with AS/NZS 2918:2001.

Due to continued product improvement, Warmington Ind LTD reserves the right to change product specifications without prior notification.

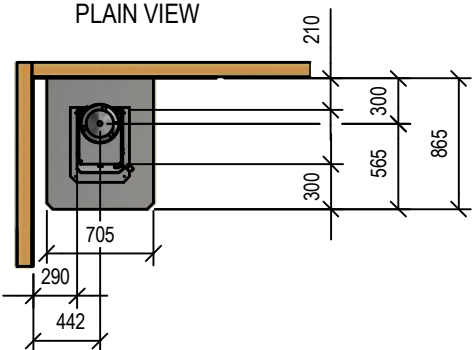
Read all the Instructions carefully before commencing the Installation. Failure to follow these instructions may result in a fire hazard and void the warranty

For Specification See: www.warmington.co.nz

Copyright ©

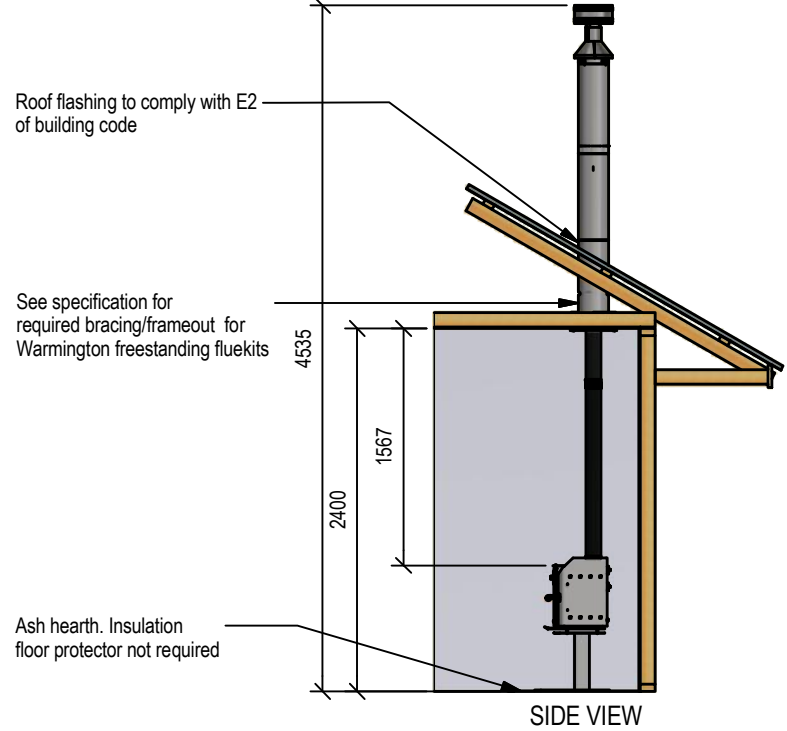
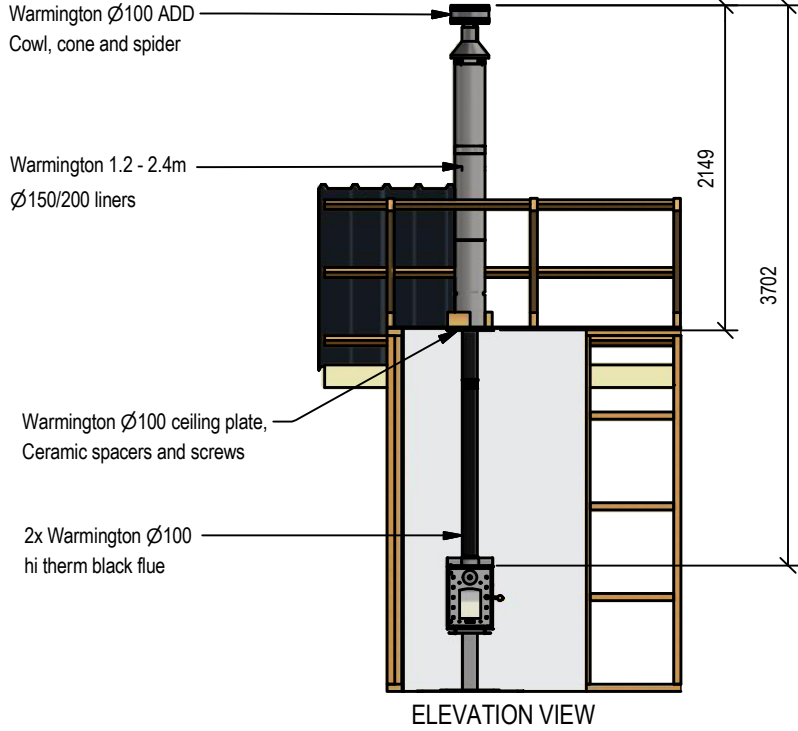
Warmington Industries Ltd.	
PH: 09 273 9227 FAX: 09 273 9241 WEB: www.warmington.co.nz	
TITLE	COMPACT STUDIO FIREBOX - PEDESTAL
DRAWN	EVEREST
DATE	29/03/21
SCALE	NOT TO SCALE
REVISION	01

Warmington Compact Studio Fire - Pedestal



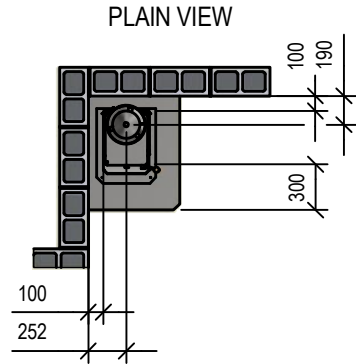
Straight Wall Installation.
 SITUATION 1 - Combustible Clearances
 Warmington 3.6m Freestanding Fluekit(1.2-2.4m Combo).
 Fire & Flue System to comply with AS/NZS 2918:2001.

Due to continued product improvement, Warmington Ind LTD reserves the right to change product specifications without prior notification.
 Read all the Instructions carefully before commencing the Installation. Failure to follow these instructions may result in a fire hazard and void the warranty
 For Specification See: www.warmington.co.nz
 Copyright ©



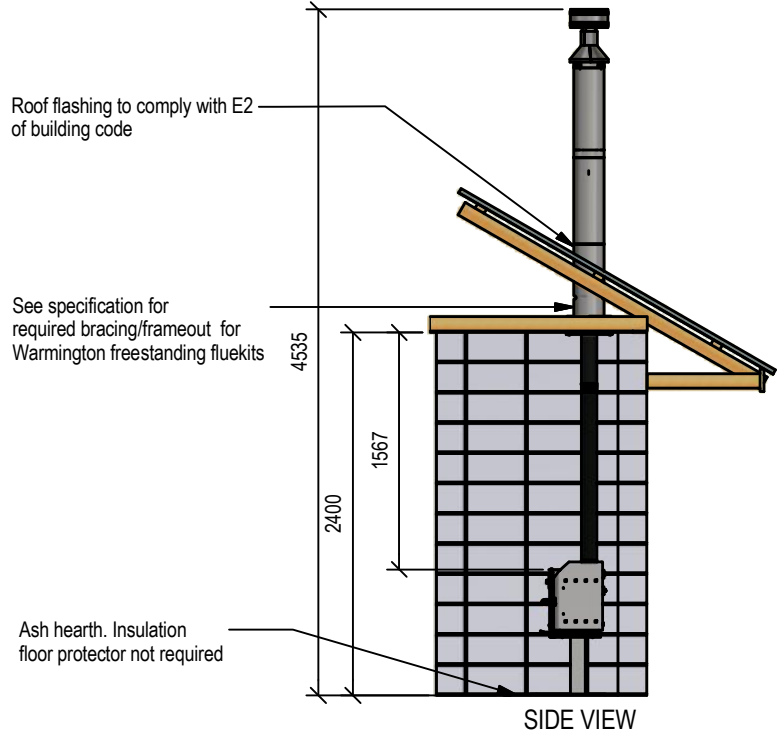
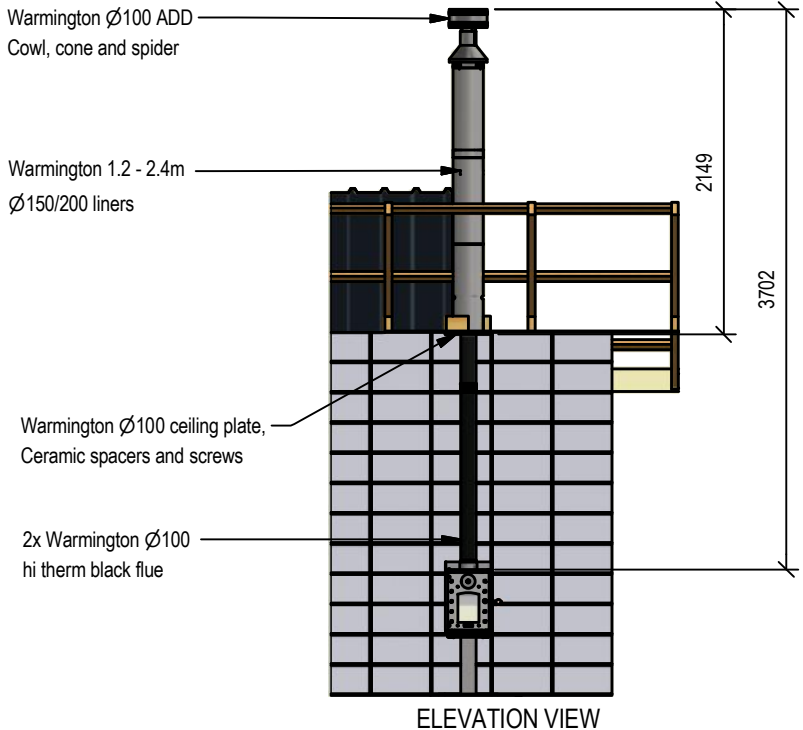
Warmington Industries Ltd.	
PH: 09 273 9227 FAX: 09 273 9241 WEB: www.warmington.co.nz	
TITLE COMPACT STUDIO FIRE - STRAIGHT INSTALLION - SITUATION 1	
DRAWN EVEREST	DATE 30/03/21
SCALE NOT TO SCALE	REVISION 01

Warmington Compact Studio Fire - Pedestal



Straight Wall Installation.
 SITUATION 2 - Non-Combustible Clearances
 Warmington 3.6m Freestanding Fluekit(1.2-2.4m Combo).
 Fire & Flue System to comply with AS/NZS 2918:2001.

Due to continued product improvement, Warmington Ind LTD reserves the right to change product specifications without prior notification.
 Read all the Instructions carefully before commencing the Installation. Failure to follow these instructions may result in a fire hazard and void the warranty
 For Specification See: www.warmington.co.nz
 Copyright ©



Warmington Industries Ltd.	
PH: 09 273 9227 FAX: 09 273 9241 WEB: www.warmington.co.nz	
TITLE COMPACT STUDIO FIRE - STRAIGHT INSTALLATION - SITUATION 2	
DRAWN EVEREST	DATE 30/03/21
SCALE NOT TO SCALE	REVISION 01

Warmington Compact Studio Fire - Pedestal

Corner Installation.

SITUATION 1 - Combustible Clearances

Warmington 3.6m Freestanding Fluekit(1.2-2.4m Combo).

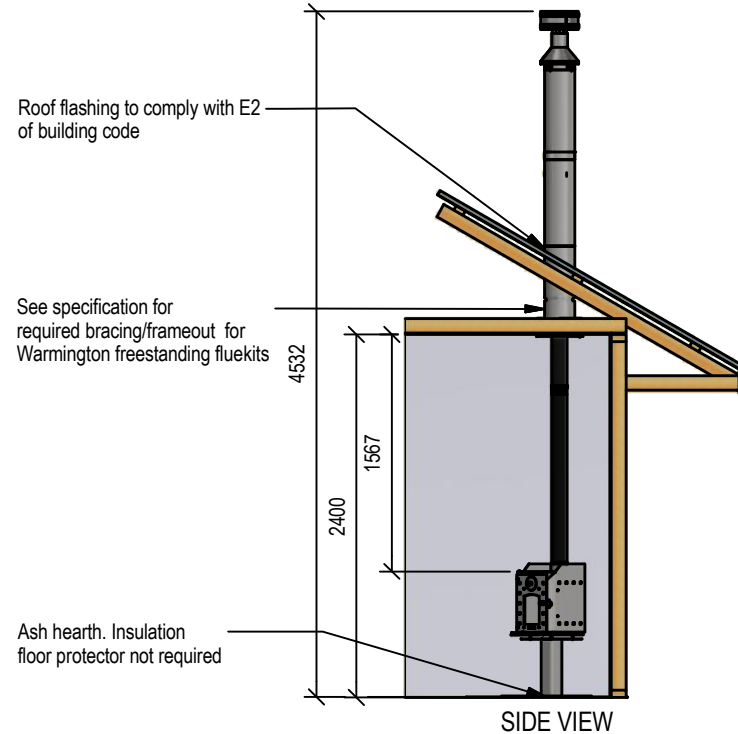
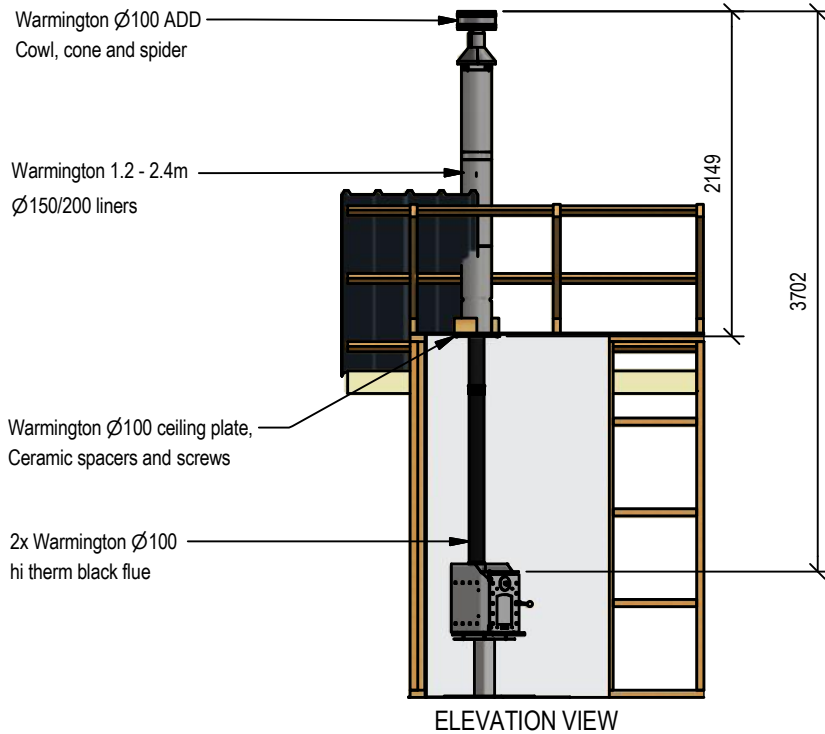
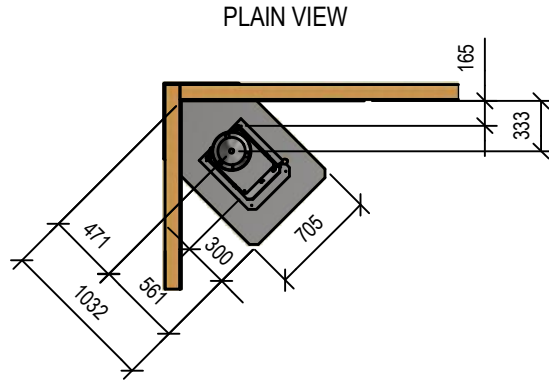
Fire & Flue System to comply with AS/NZS 2918:2001.

Due to continued product improvement, Warmington Ind LTD reserves the right to change product specifications without prior notification.

Read all the Instructions carefully before commencing the Installation. Failure to follow these instructions may result in a fire hazard and void the warranty

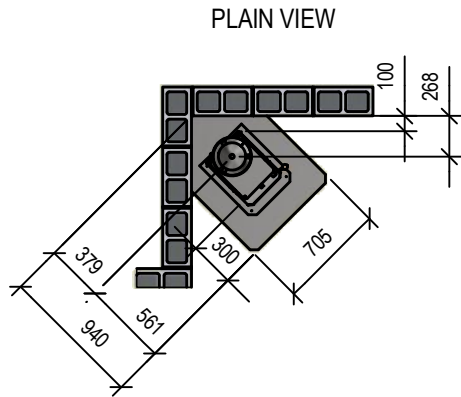
For Specification See: www.warmington.co.nz

Copyright ©



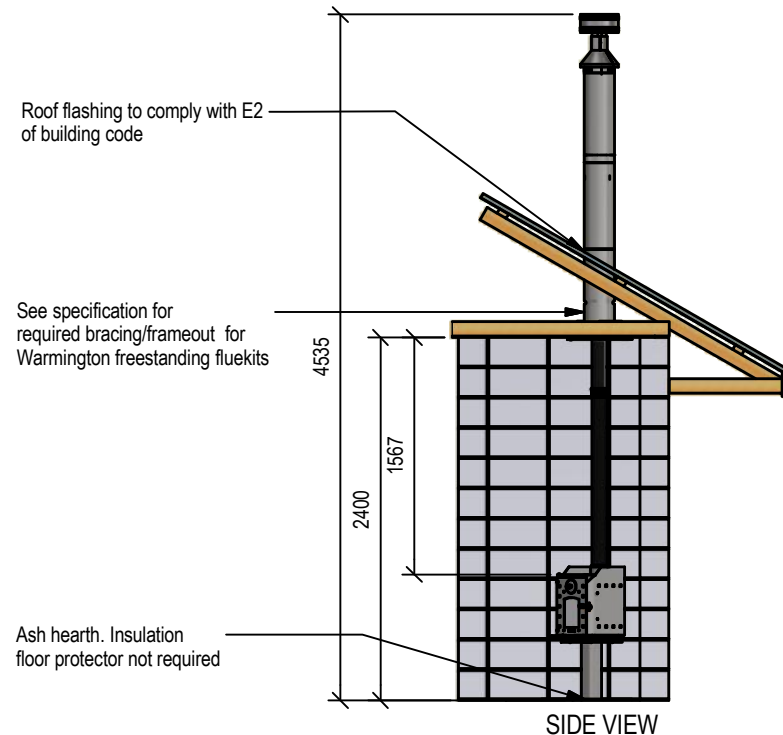
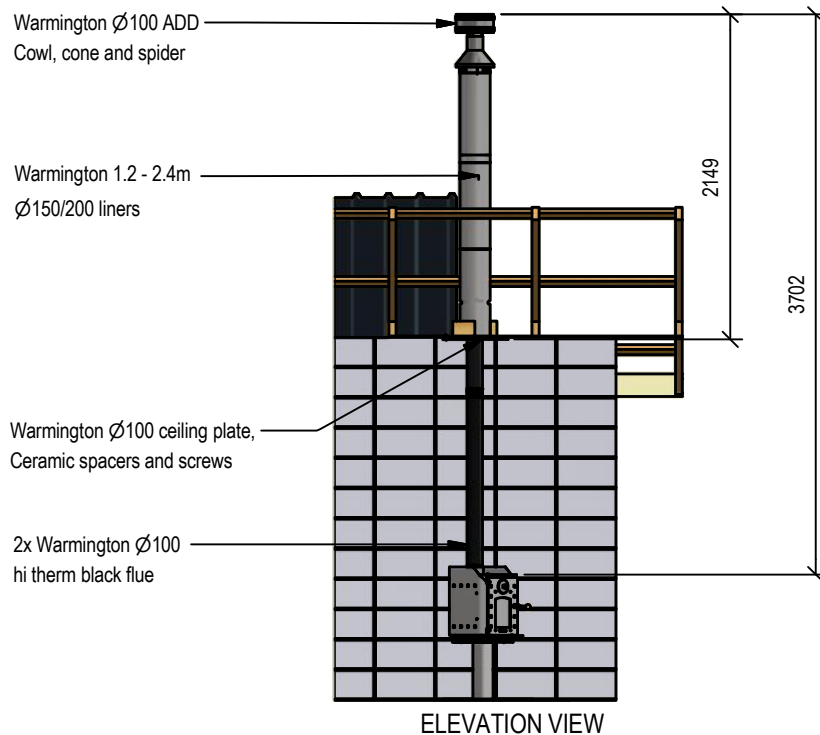
Warmington Industries Ltd.	
PH: 09 273 9227 FAX: 09 273 9241 WEB: www.warmington.co.nz	
TITLE COMPACT STUDIO FIRE - CORNER INSTALLATION - SITUATION 1	
DRAWN EVEREST	DATE 30/03/21
SCALE NOT TO SCALE	REVISION 01

Warmington Compact Studio Fire - Pedestal



Corner Installation.
 SITUATION 2 - Non-Combustible Clearances
 Warmington 3.6m Freestanding Fluekit(1.2-2.4m Combo).
 Fire & Flue System to comply with AS/NZS 2918:2001.

Due to continued product improvement, Warmington Ind LTD reserves the right to change product specifications without prior notification.
 Read all the Instructions carefully before commencing the Installation. Failure to follow these instructions may result in a fire hazard and void the warranty
 For Specification See: www.warmington.co.nz
 Copyright ©



Warmington Industries Ltd.	
PH: 09 273 9227 FAX: 09 273 9241 WEB: www.warmington.co.nz	
TITLE COMPACT STUDIO FIRE - CORNER INSTALLATION - SITUATION 2	
DRAWN EVEREST	DATE 30/03/21
SCALE NOT TO SCALE	REVISION 01