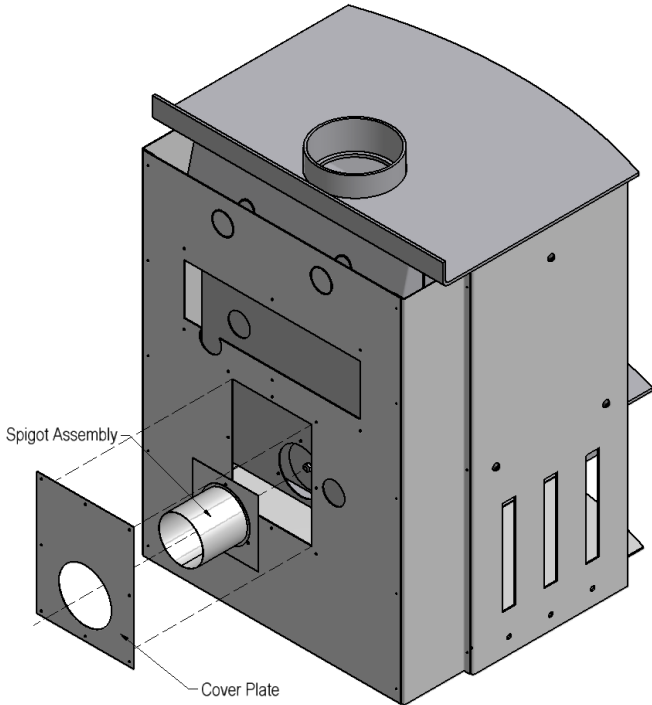


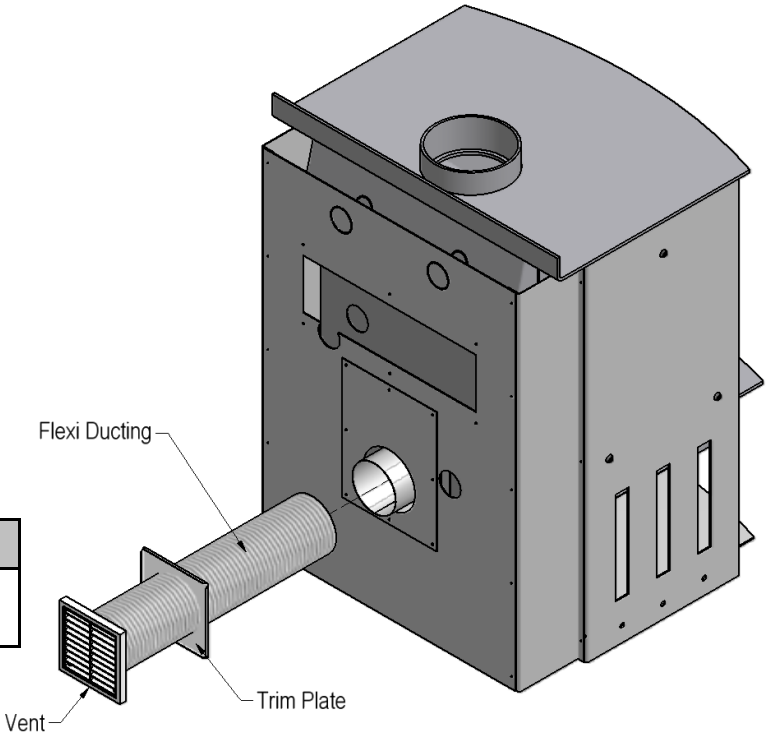
Southern Series - D.V Unit Attachment

Step 1



Instructions: Step 1
 First remove the break out panel for the D.V. then place the spigot over the hole and screw the three 6mm screws into the holes, while fixing the spigot in place. Place the supplied cover over the break out and fix with the eight 5mm screws supplied.

Step 2

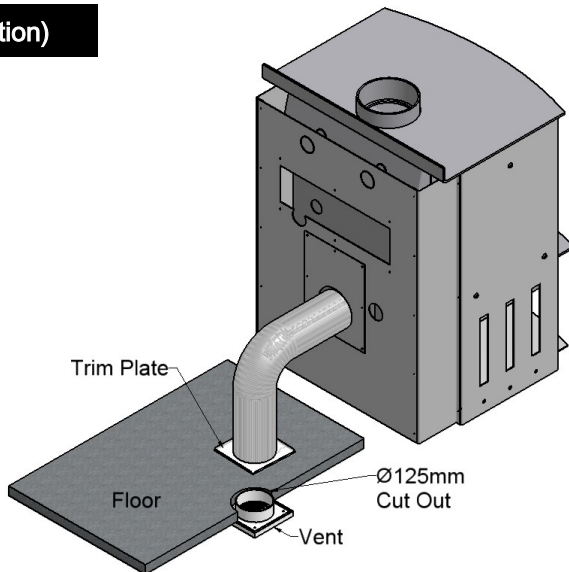
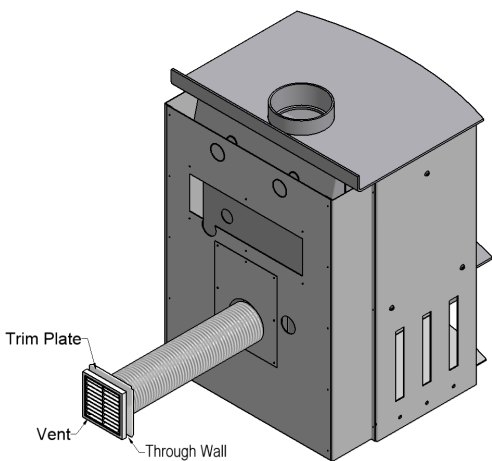


Instructions: Step 2
 Attach Flexi Duct by rivets to spigot assembly and run Flexi Duct to outside air supply, as in options below:

NOTE:
 Ensure vermin proof & water tight integrity of penetration

D.V Unit : Floor Set Up (Option)

D.V Unit : Wall Set Up (Option)



Parts Supplied	
Spigot Assembly	
Cover Plate	
8 x M5 Screws	
3 x M6 Screws	
Flexi Ducting	
Trim Plate	
Vent	
Ceramics & Screws	
Rivets	

Due to continued product improvement, Warmington Ind LTD reserves the right to change product specifications without prior noti-