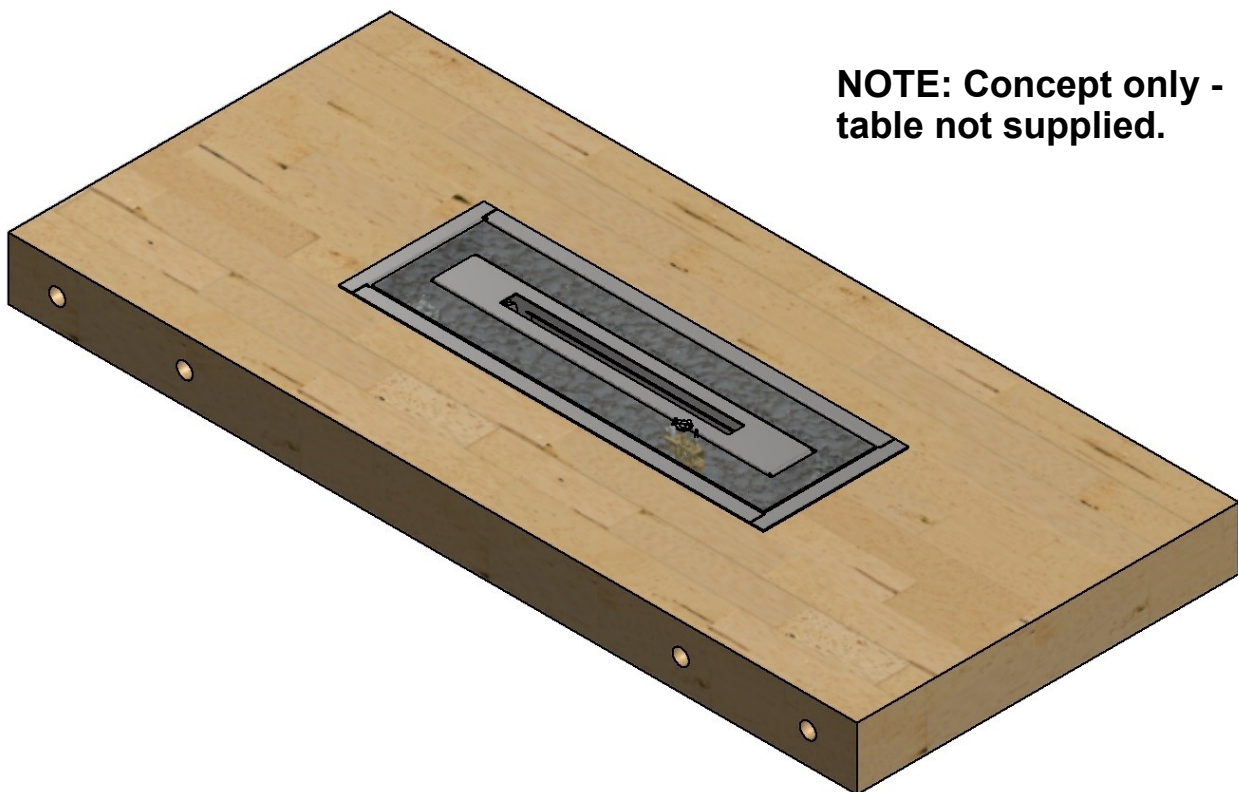


# Logi Gas Pit Fire

## Installation Instructions

- Service annually or more frequently if required.
- The Appliance and Flue System must be installed in accordance with relevant gas standards and appropriate Building codes.
- Can be installed into existing table or other structure.



**NOTE: Concept only - table not supplied.**

### Related documents

**Fire installation, and instructions to comply with NZS 5601.1:2013, 3645.1(Int):2010, 3645.2(Int):2010, 5266:2014, 2918:2001.**

**The fireplace is constructed and tested to comply with NZS 4558(int):2013 “Decorative gas log and other fuel effect appliances”.**

Keep these instructions for further reference. Ensure that you have the correct and current installation details for the Warmington fireplace.

### Installation

The Warmington unit is to be installed by a certified Warmington installer or an approved NZHHA installation technician.

See [www.homeheat.co.nz/members](http://www.homeheat.co.nz/members) for a certified NZHHA SFAIT Installer in your area.

A licenced certified gas fitter and licenced electrician are required to run power and gas supplies as required to the unit and any commissioning as part of the installation process. The heater must be installed according to these instructions and in compliance with all relevant building, gas fitting, electrical and other statutory regulations.

### **IMPORTANT**

Read all the instructions carefully before commencing the Installation. Failure to follow these instructions may result in a fire hazard and void the warranty

Due to continued product improvement, Warmington Ind LTD reserves the right to change product specifications without prior notification.

All Dimension are in mm.....Copyright ©

## PRIOR TO CONSTRUCTION AND INSTALLATION

### Consult a certified craftsman gas fitter for correct gas installation.

1. Install to manufacture's specifications.
2. All new installations require a permit.
3. Allow for gas supply to burner.

### NOTES:

- Service annually or more frequently if required.
- The appliance and flue system must be installed in accordance with relevant gas standards and the appropriate building codes.

### Stage 1: Table construction procedure by builder.

When framing or building the construction to fit the burner, consider requirements for housing and accessibility of the control valve and gas supply and LPG bottle. These need to be accessible to allow for set up & maintenance.

**NOTE: Keep lid on when not using to prevent weather damage to the control valve system**

### Stage 2: Install procedure by certified tradesman.

1. Fit burner to the table.
2. Fit to gas bottle and test (**by Certified Craftsman Gasfitter**).
3. Clean and touch-up paint on the burner and cover if necessary.

### Stage 3: Finishing procedure by builder.

1. Ensure when finishing that the gas valve is accessible for maintenance.
2. Care must be taken not to damage any gas fittings once installed.

## TO THE INSTALLER/GAS FITTER

**GAS TYPE:** All gas pit fire burners shall operate safely on the gas type specified on the appliance and shall comply with the requirements of The Gas Act 1992.

**APPLIANCE SAFETY:** Any gas fire appliance shall comply with the safety requirements of the current standards listed under "Related documents" in this specification.

**GAS CONNECTION:** A gas certificate must be obtained for the installation and commissioning of this appliance and flue system.

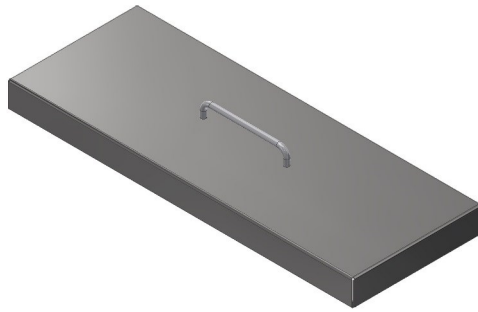
Check that the gas type specified on the data plate is correct for the available supply (LPG only).

- Service annually or more frequently if required.
- The appliance and flue system must be installed in accordance with relevant gas standards and the appropriate building codes.

**COMPONENTS**



**Pit Fire Burner**



**Lid**



**Fill (clear glass only)**

Burner		
Burner Width	A	604
Burner Depth	B	197
Burner Height	C	80
Flange Width	D	650
Flange Depth	E	222
Burner Head Length	F	350

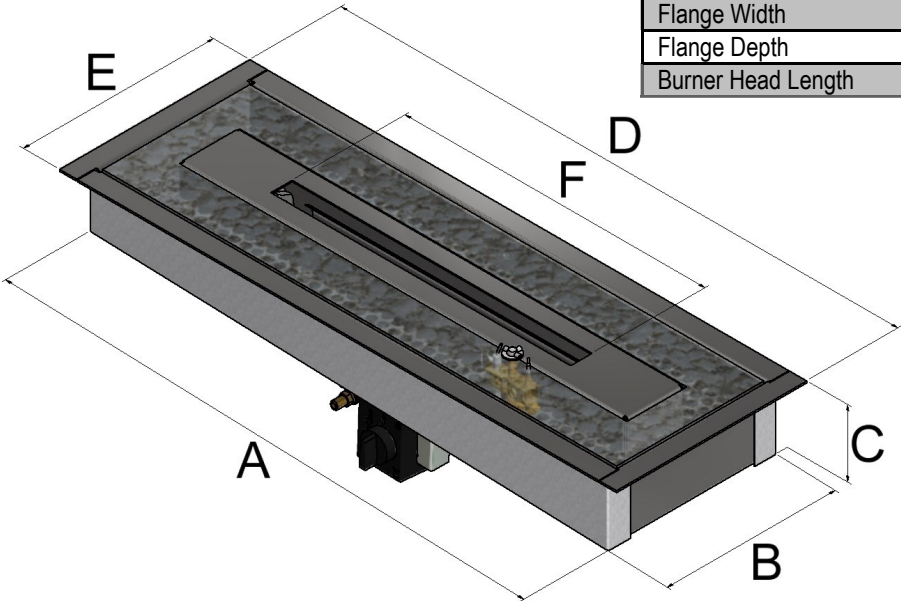
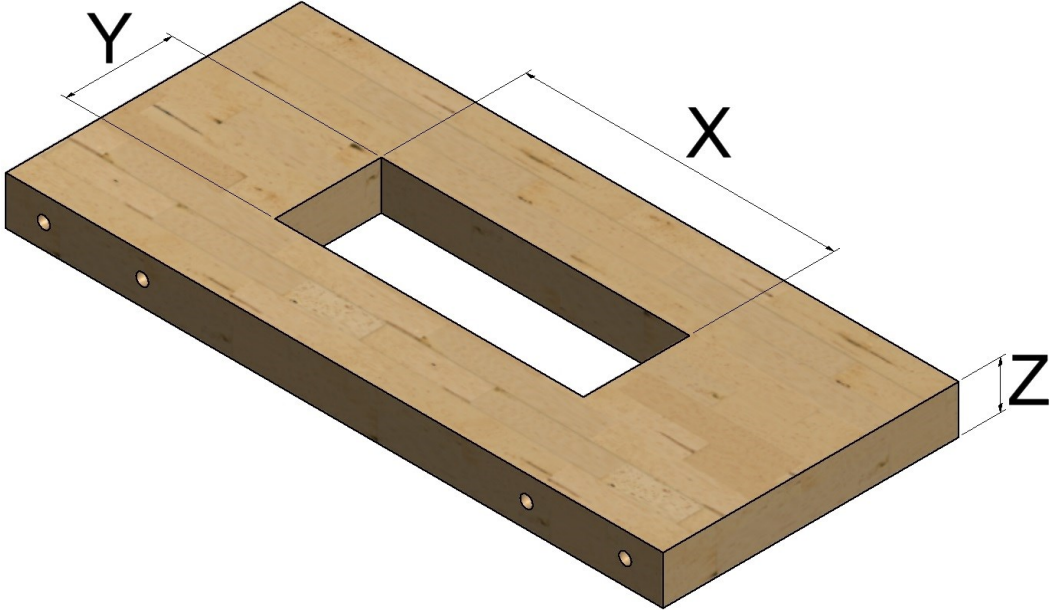
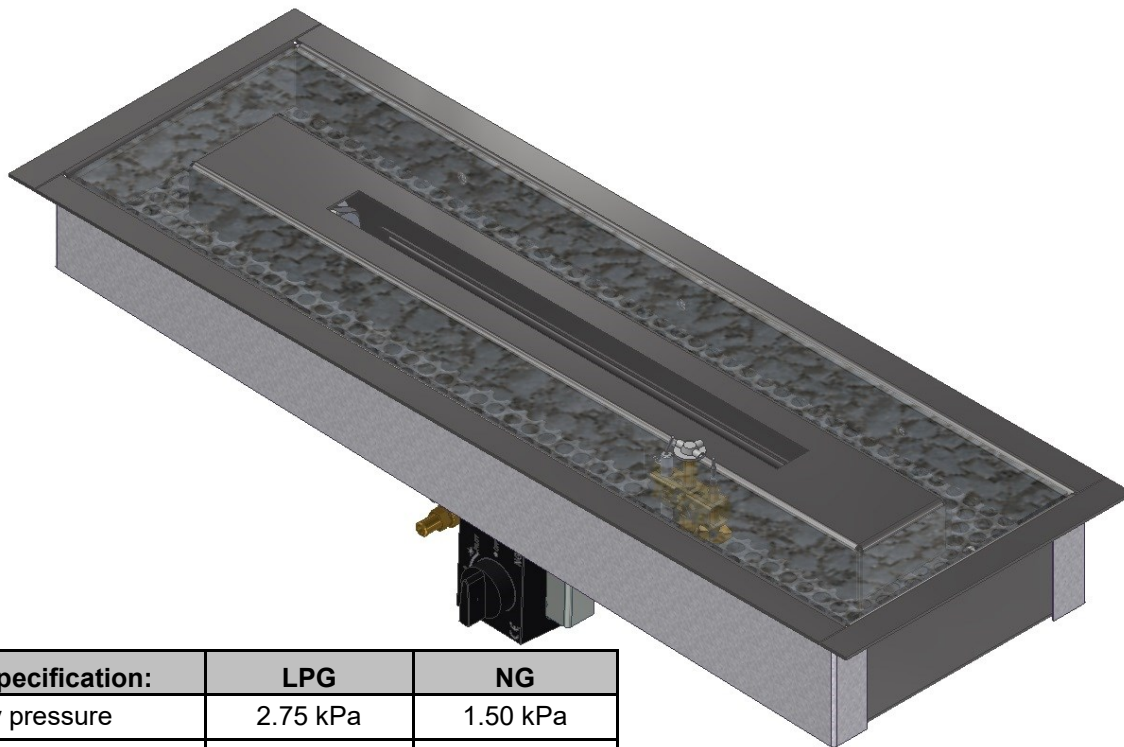


Table		
Table Slot Width min.	X	615
Table Slot Depth min.	Y	210
Table Height max.	Z	95



**BURNER & GAS COMPONENTS**



Gas Specification:	LPG	NG
Supply pressure	2.75 kPa	1.50 kPa
Burner pressure high	1.50 kPa	1.00 kPa
Burner pressure low	0.50 kPa	0.30 kPa
Gas consumption	TBC	16 MJ/h
Jet diameter	1.7 mm	2.0 mm
Supply Feed	3/8"	3/8"

**OPERATION OF YOUR WARMINGTON LOGI PIT FIRE**

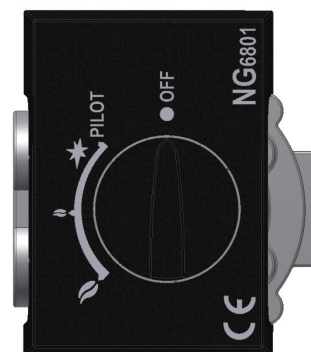
*Your Fire must be Installed and Tested by a suitably qualified Gasfitter prior to use.*

**Instructions for lighting the gas fire:**

- Open the front cover by pulling in outwards.
- Push in the ignition control switch and hold in the 'PILOT' position for 5-10 seconds until you can hear the gas come through the pipe – making sure the ignition switch is pressed in firmly.
- To strike the igniter, turn anti clockwise to the \* STAR position (with the ignition switch still firmly pressed in) until you hear the pilot ignite with a 'click'. Repeat this process 2 or 3 times if necessary.
- Once the pilot flame is lit, hold this position for 3-5 seconds, then gently let the ignition switch out, and set the flame control to high. It may take a few seconds for the burner to light all the way across.
- Once the flame is established, adjust to the desired setting and close the cover.

**To shut down the gas fire:**

- Turn the control ignition switch to 'PILOT' and the flame bed will extinguish.
- Pilot light may be left on and the pilot flame will still burn.
- To fully extinguish, turn to the 'OFF' position before closing the cover.

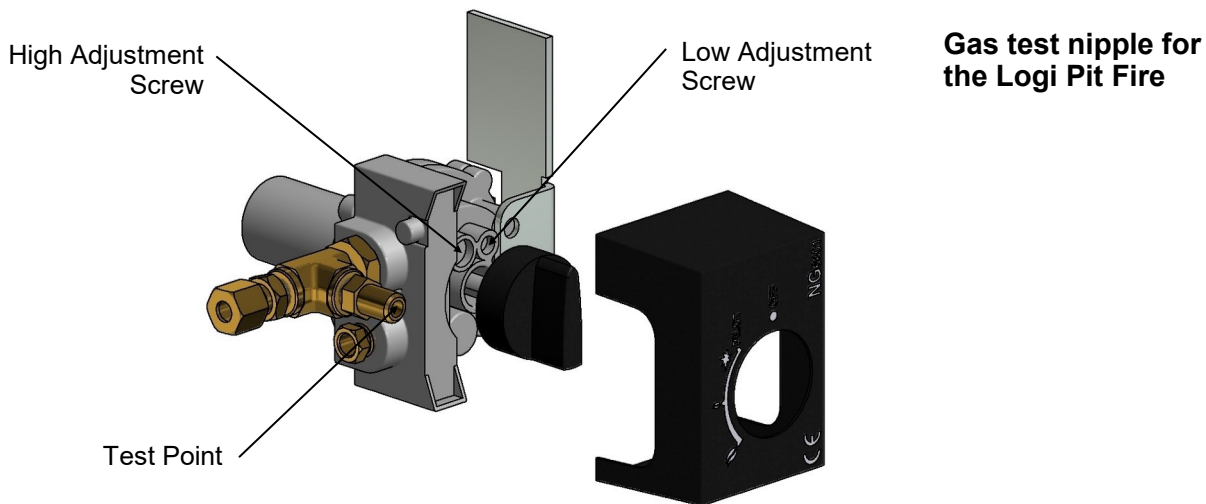


**ADJUSTMENT OF HI/LOW PRESSURE (only to be adjusted by gasfitter)**

**Adjustment of high & low settings must be carried out by a certified gas fitter only**

Note: Control valves are factory set but may require adjustment onsite due to site differences.

- Turn appliance off & remove front plastic cover on the igniter, pull cover to slide off
- Unscrew test nipple on the burner manifold & fit the test gauge securely, see diagram below
- To set high: light the burner & turn to high, then adjust the high screw to the desired pressure, see data plate
- To set low: light the burner & turn to low, then adjust the low screw to the desired pressure, see data plate
- Extinguish appliance, remove test equipment and secure test nipple
- Check valve & burner for correct operation & check burner for gas leaks

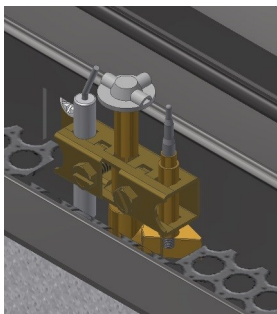


**ADJUSTMENT OF THE PILOT– THREE-FLAME (only to be adjusted by gasfitter)**

**Note:** when the base screw is removed, gas will leak from the outlet, ensure that the pilot is not adjusted or the screw is removed when the fire is burning.

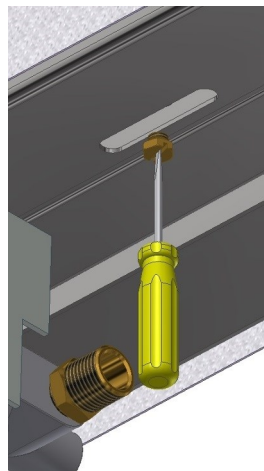
- Adjustment of pilot - three-flame: unscrew base screw as shown in diagram 2
- Insert a screwdriver as shown in diagram 3 and adjust the adjustment screw up inside the three-flame pilot to adjust the flame height
- The flame must always be passing over the electrodes
- Replace the base screw and check for leaks

**Note: to gas-fitters**  
 The three-flame pilot may need adjustment after a period of running time on set up as the increase in heat in the fire will induce a higher draft in the fire, and may pull flame away from the electrodes causing the fire to shut down.

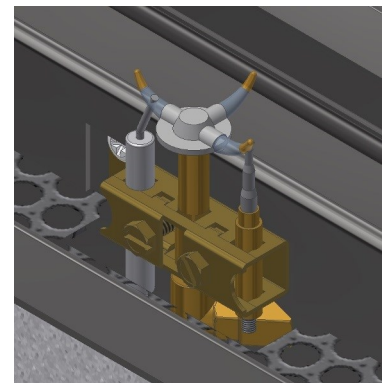
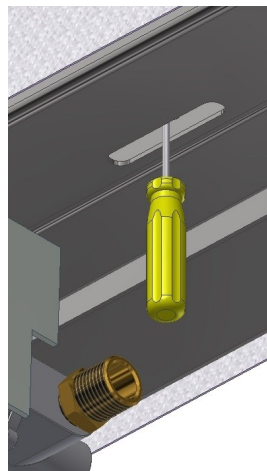


Three-flame pilot in assembled state

2



3



Correct operation of Three-flame pilot

## TESTING GAS PIT FIRE

**Once the unit is installed to be tested by the electrician and the gas fitter for correct operation:**

Ensure that all gas connections are leak free.

Position of the burner is correct.

Ensure all components and gas connections are completed and firmly secured.

Ensure the unit is free of obstruction and any flammable material.

## TO THE CUSTOMER/HOME OWNER

Your Warmington gas appliance operates on the principle of a fire. Therefore it is important to observe the following precautions associated with any gas appliance

The fire is not intended for the drying of clothing, bedding etc.

Avoid keeping this appliance in high traffic areas, strong draughts or near drapes or furniture

Do not use the appliance in strong wind

Do not leave the appliance running without supervision, especially around young children

Do not run the appliance during heavy rain

Never run with the lid on

## SAFETY

Always use a registered gas fitter for installing and maintenance work

Always use certified gas cylinders that have been tested and are safe to use.

Never modify your gas appliance or its settings from those specified by the manufacturer.

## WHAT DO YOU DO IF YOU SMELL GAS

Do not light any gas appliance

Do not use any electrical appliance or switches

Shut off the gas supply valve (on the bottle)

Call your gas supplier/gas fitter or the Fire Service for further advice.

## MAINTENANCE

Warmington Industries recommend annual servicing of your gas appliances by an approved Warmington dealer.

External surfaces should be dusted with a damp, lint-free cloth when the appliance is cold.

- Service annually or more frequently if required.
- The Appliance and Flue System must be installed in accordance with relevant gas standards and the appropriate Building codes.
- If the paint on the surface of the burner get damaged or scratched use high temperature paint to touch up the paint on the burner.

## WARRANTY

### This warranty covers:

- Replacement parts and labour for gas control components due to manufacturing defects only, for a period of 12 months from the date of purchase.
- Repair or replacement of the burner components due to manufacturing defects only.
- **Warranty cover will be considered void if the product is subject to incorrect installation, seal, failure to operate the appliance in accordance with the supplied instructions and specifications or is subject to damage modification or misuse beyond the expected conditions of normal use.**
- All installations and servicing must be carried out by and approved Warmington dealer or agency.
- As part of the manufacturing process, these units have been fully factory tested for correct ignition and fault finding purposes to insure they run correctly before being packaged.



## GENERAL NOTES

### NOTES:

- These installation and operating instructions should be kept in a safe place
- This appliance must be installed in accordance with the manufacturer's written instructions to comply with the **Warmington** warranty
- This appliance must be serviced annually and any service operation must be carried out by a qualified service person
- The appliance must be installed in accordance with relevant gas standards and the appropriate building codes
- Do not use the appliance in strong wind
- Do not leave the appliance running without supervision, especially around young children
- Do not run the appliance during heavy rain
- Never run with the lid on.

### WARNINGS:

- **WARNING! ANY MODIFICATION OF THE APPLIANCE THAT HAS NOT BEEN APPROVED IN WRITING BY THE TESTING AUTHORITY IS CONSIDERED A BREACH OF NZ STANDARDS.**
- **WARNING! DO NOT USE OR STORE FLAMMABLE LIQUIDS OR AEROSOLS IN THE VICINITY OF THIS APPLIANCE WHILST IN OPERATION**
- **WARNING! DO NOT PLACE FLAMMABLE MATERIALS ON OR AGAINST THIS APPLIANCE**
- **WARNING! NEVER RUN THE APPLIANCE WITH THE LID ON**
- **CAUTION:** THIS APPLIANCE SHOULD BE MAINTAINED AND OPERATED AT ALL TIMES IN ACCORDANCE WITH THESE INSTRUCTIONS
- **CAUTION:** ALL SERVICING MUST BE CARRIED OUT BY AN AUTHORISED SERVICE TECHNICIAN
- **CAUTION:** MAKE SURE THE USE OF CORRECT FUEL TYPE WITH THIS APPLIANCE.

**NOTE: Keep a copy of these instructions for operating and maintenance guidelines.**



Industries 1994 LTD  
PO Box 58652, Botany 2163, Auckland [www.warmington.co.nz](http://www.warmington.co.nz)