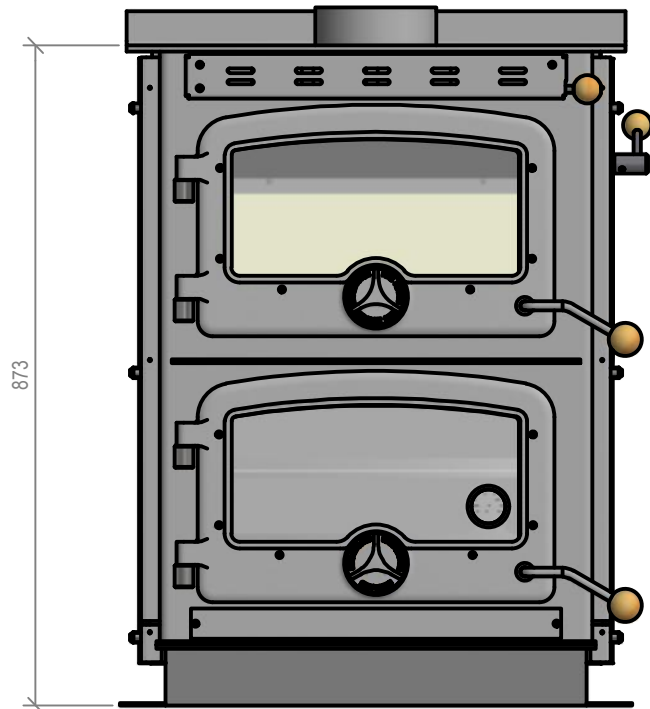
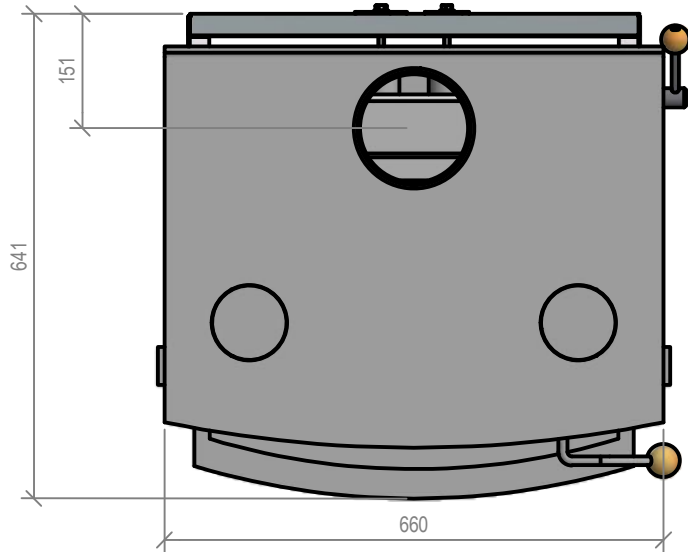


Plan view



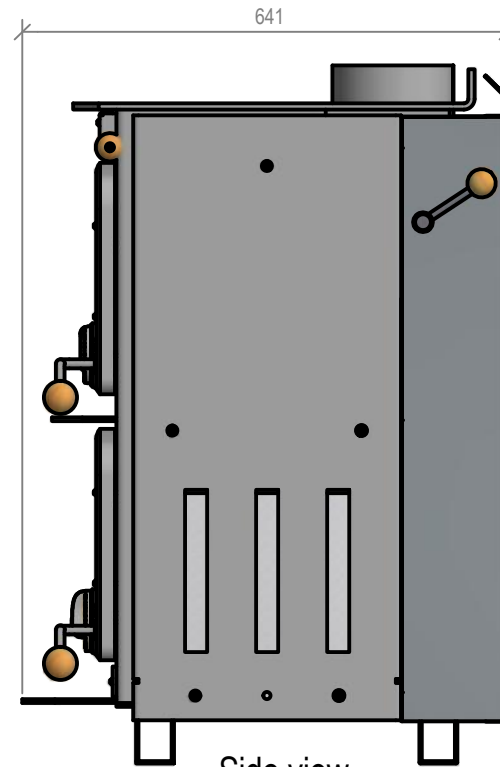
Front view

Warmington Southern Series Fire

Warmington Cardrona Cooker Firebox .
 Warmington 3.6m Freestanding Fluekit (1.2-2.4m Combo) .
 Straight Wall Installation .
 Fire & Flue System to comply with AS/NZS 2918:2001.

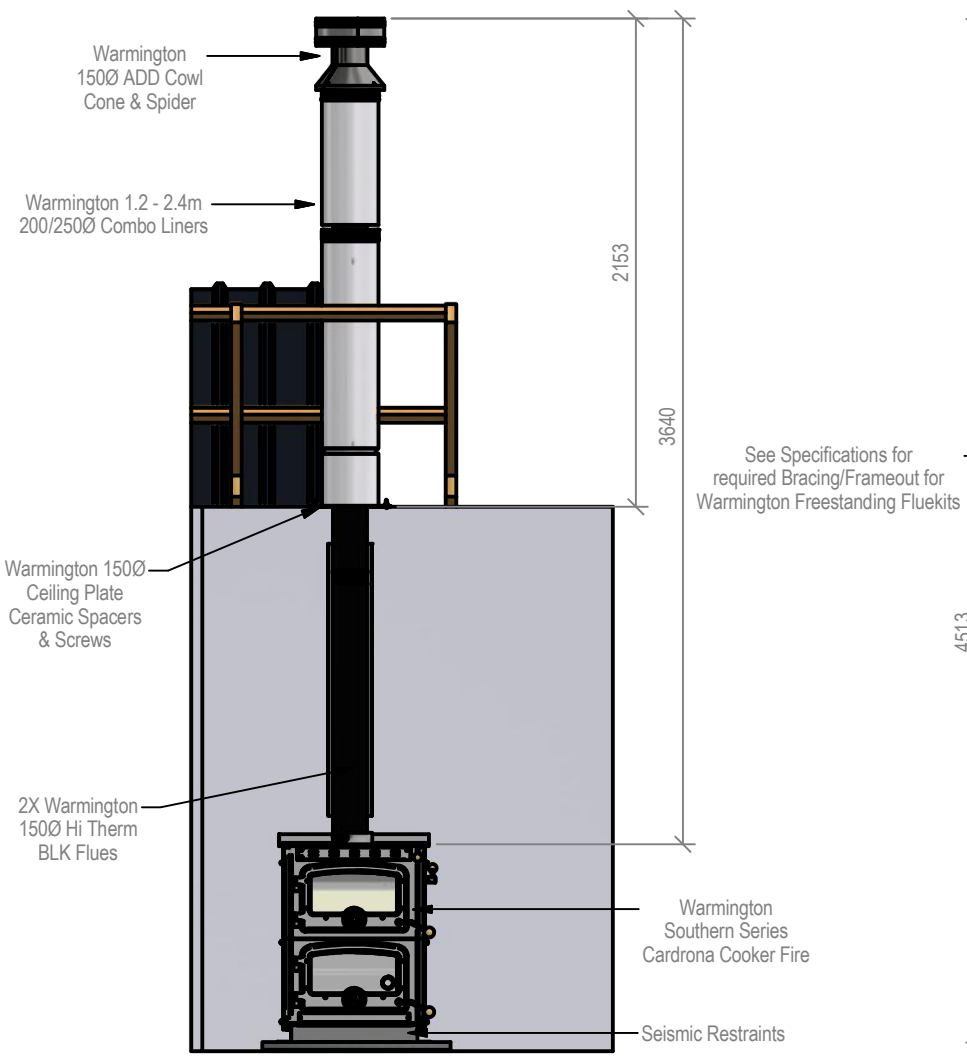
Due to continued product improvement, Warmington Industries LTD reserves the right to change product specifications without prior notification.

Read all the Instructions carefully before commencing the Installation. Failure to follow these instructions may result in a fire hazard and void the warranty. For Specification See: www.warmington.co.nz
 Copyright ©



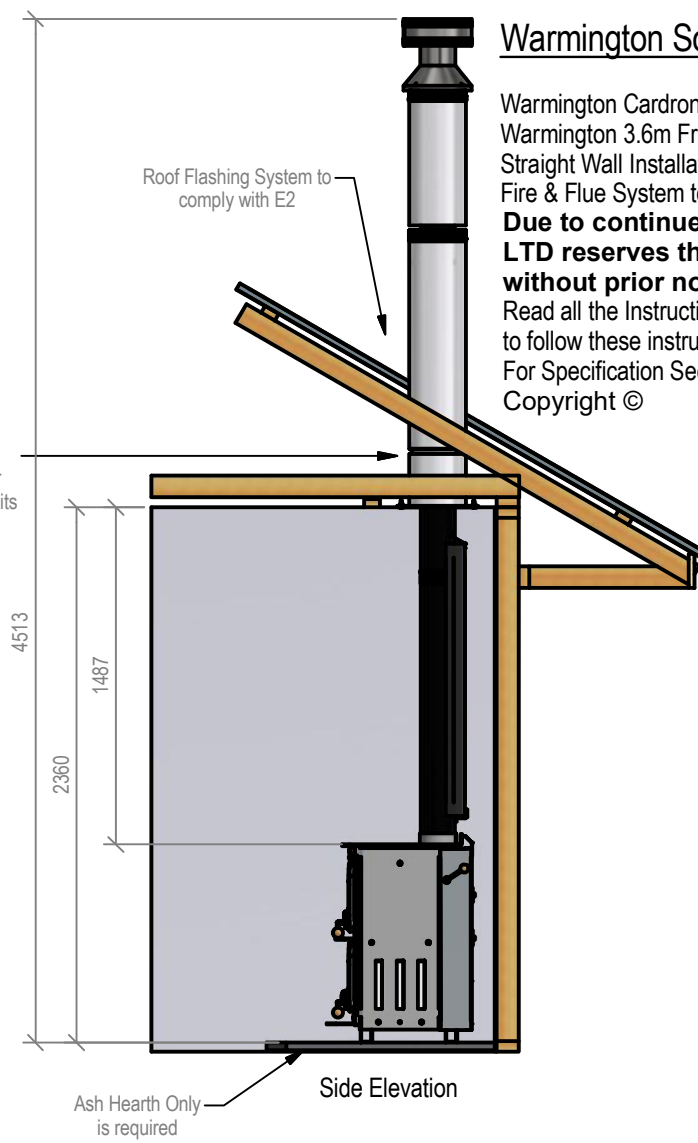
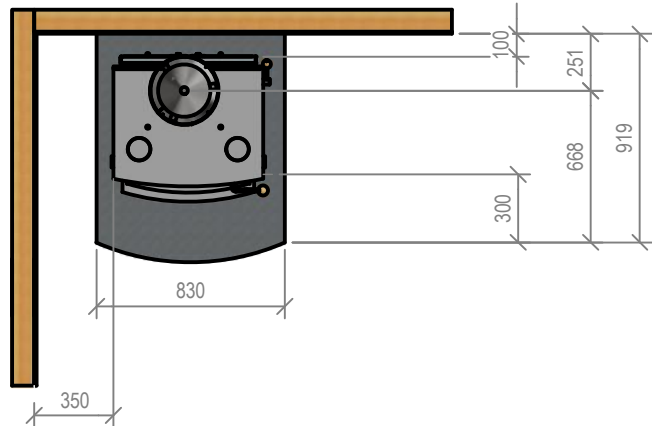
Side view

Warmington Industries Ltd.	
PH: 09 273 9227 FAX: 09 273 9241 WEB: www.warmington.co.nz	
TITLE	SOUTHERN SERIES FIRE - CARDRONA COOKER
DRAWN	BRYCE
DATE	19/04/11
SCALE	REVISION 02



Front Elevation

Plan Elevation



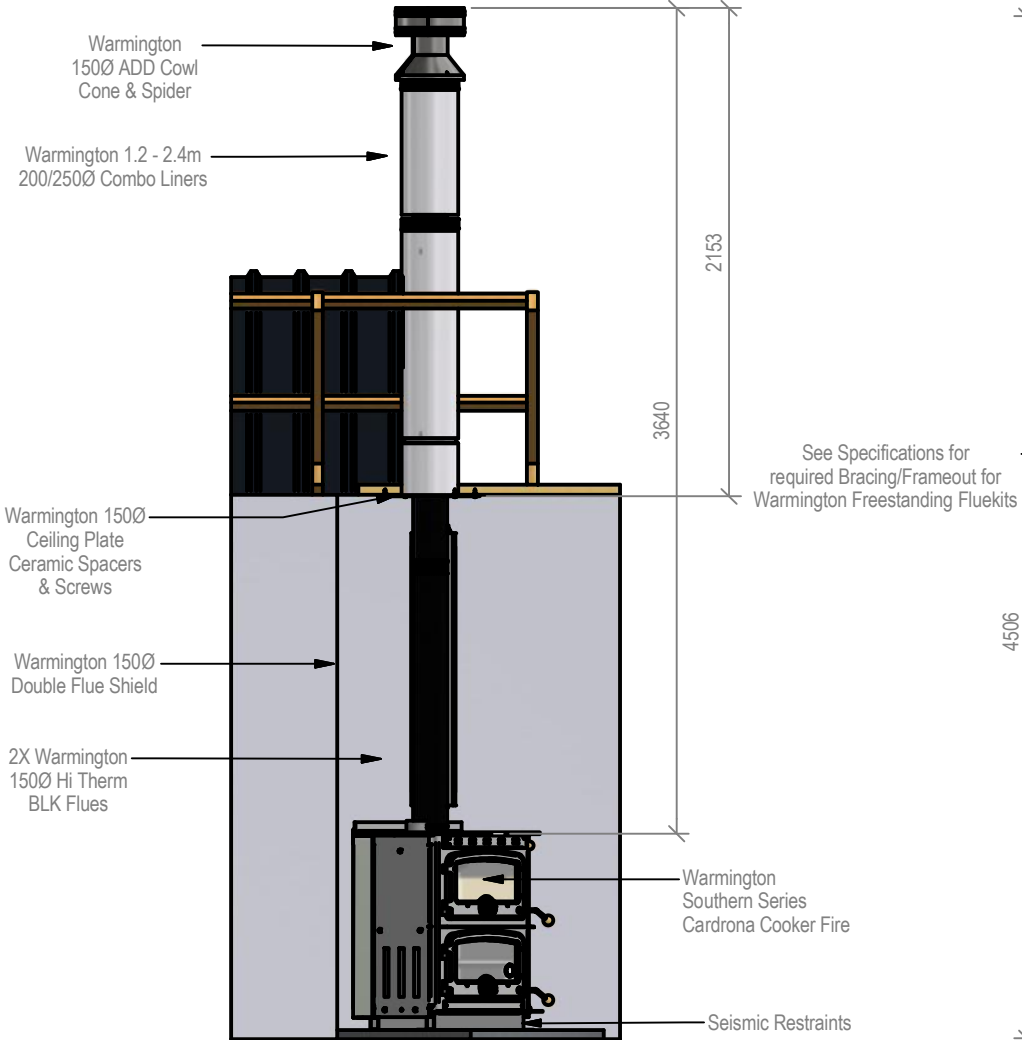
Side Elevation

Warmington Cardrona Cooker Fire & Warmington 3.6m Fluekit

Warmington Southern Series Fire

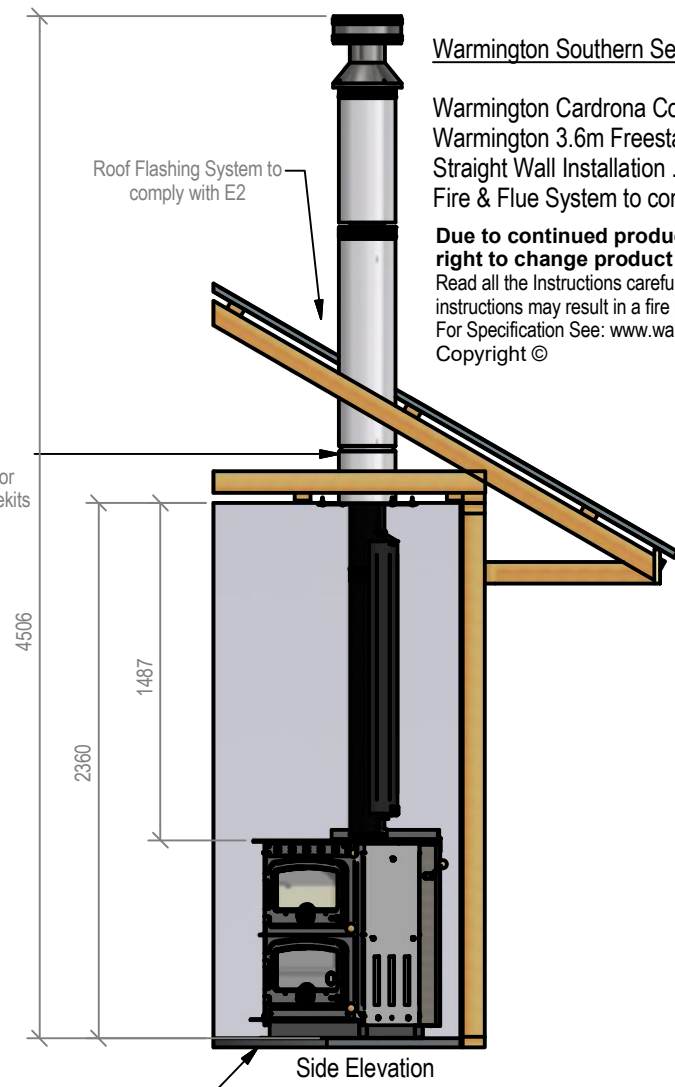
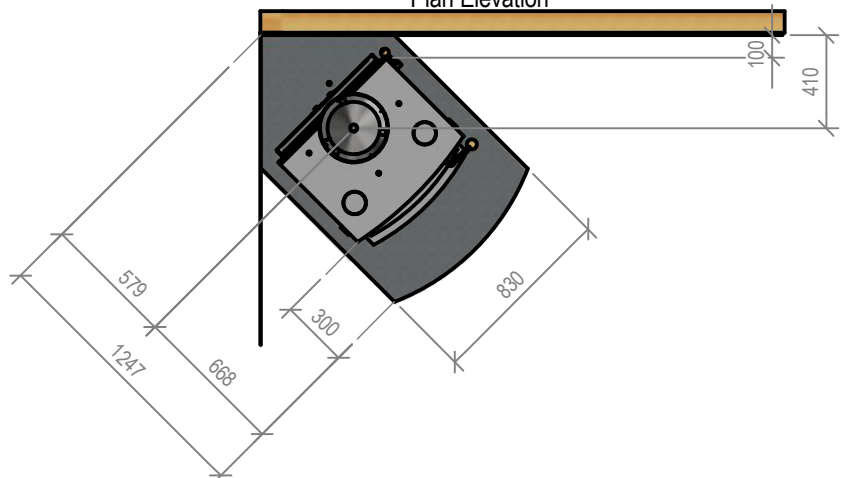
Warmington Cardrona Cooker Firebox .
 Warmington 3.6m Freestanding Fluekit (1.2-2.4m Combo) .
 Straight Wall Installation .
 Fire & Flue System to comply with AS/NZS 2918:2001.
Due to continued product improvement, Warmington Ind LTD reserves the right to change product specifications without prior notification.
 Read all the Instructions carefully before commencing the Installation. Failure to follow these instructions may result in a fire hazard and void the warranty
 For Specification See: www.warmington.co.nz
 Copyright ©

Warmington Industries Ltd.	
PH: 09 273 9227 FAX: 09 273 9241 WEB: www.warmington.co.nz	
TITLE	SOUTHERN SERIES FIRE - CARDRONA COOKER
DRAWN	BRYCE
DATE	19/04/11
SCALE	REVISION 02



Front Elevation

Plan Elevation



Side Elevation

Ash Hearth Only is required

Warmington Southern Series Fire

Warmington Cardrona Cooker Firebox .
 Warmington 3.6m Freestanding Fluekit (1.2-2.4m Combo) .
 Straight Wall Installation .
 Fire & Flue System to comply with AS/NZS 2918:2001.

Due to continued product improvement, Warmington Ind LTD reserves the right to change product specifications without prior notification.
 Read all the Instructions carefully before commencing the Installation. Failure to follow these instructions may result in a fire hazard and void the warranty
 For Specification See: www.warmington.co.nz
 Copyright ©

Warmington Cardrona Cooker Fire & Warmington 3.6m Fluekit

Warmington Industries Ltd.	
PH: 09 273 9227 FAX: 09 273 9241 WEB: www.warmington.co.nz	
TITLE	SOUTHERN SERIES FIRE - CARDRONA COOKER
DRAWN	BRYCE
DATE	19/04/11
SCALE	REVISION 02