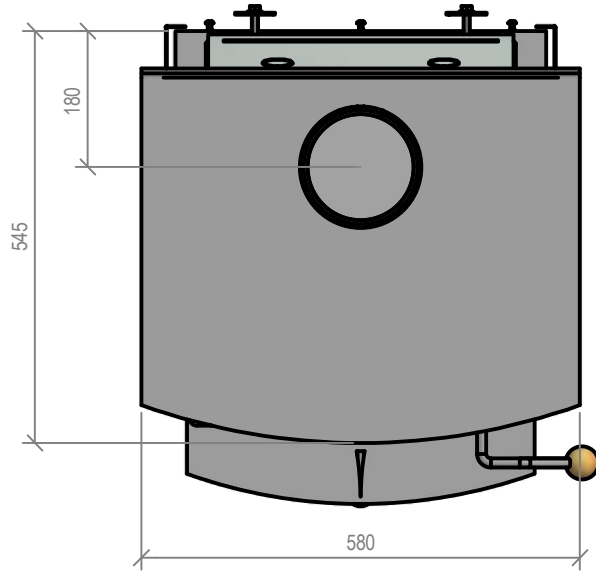


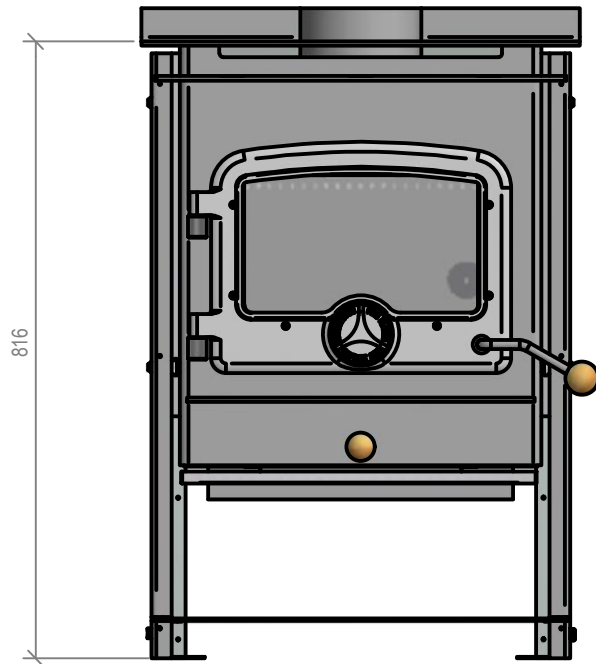
Plan view



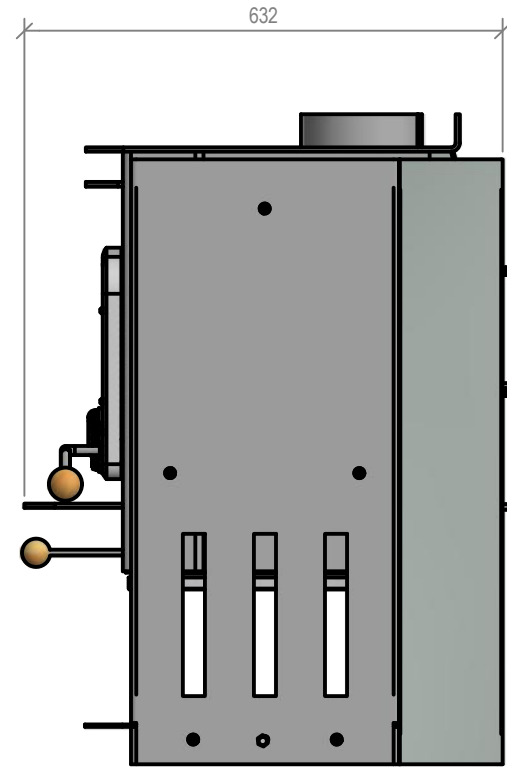
Warmington Southern Series Fire

Warmington Lewis Firebox .
 Warmington 3.6m Freestanding Fluekit (1.2-2.4m Combo) .
 Straight Wall Installation .
 Fire & Flue System to comply with AS/NZS 2918:2001.

Due to continued product improvement, Warmington Ind LTD reserves the right to change product specifications without prior notification.
 Read all the Instructions carefully before commencing the Installation. Failure to follow these instructions may result in a fire hazard and void the warranty
 For Specification See: www.warmington.co.nz
 Copyright ©

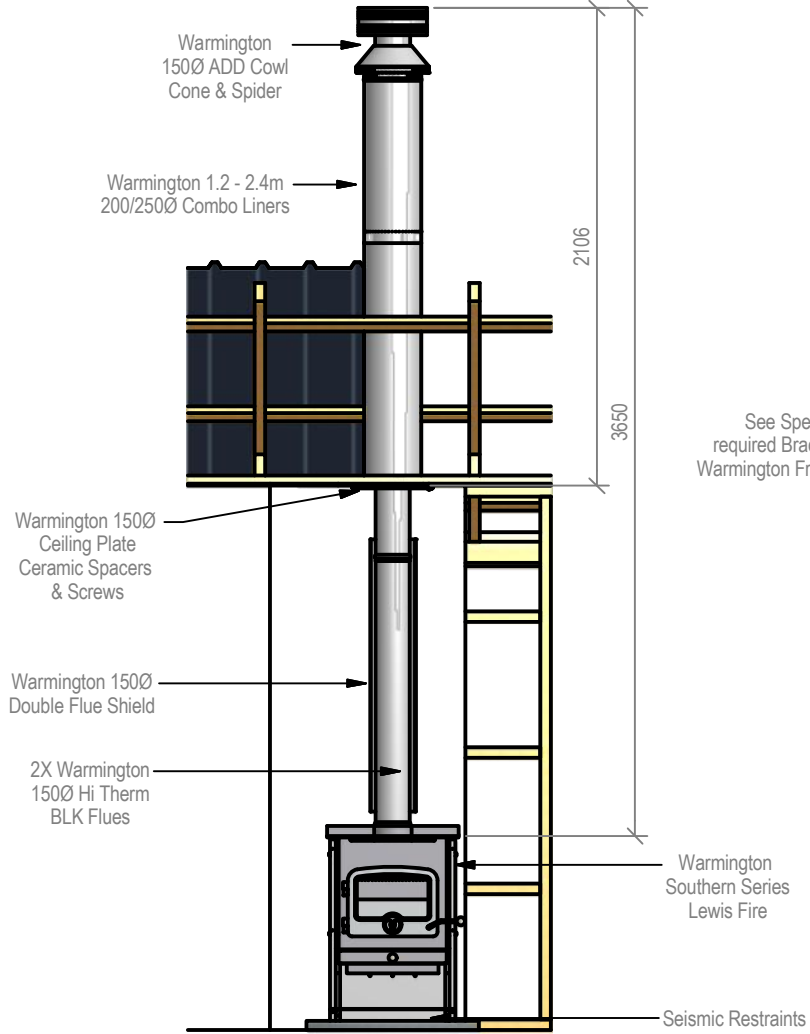


Front view



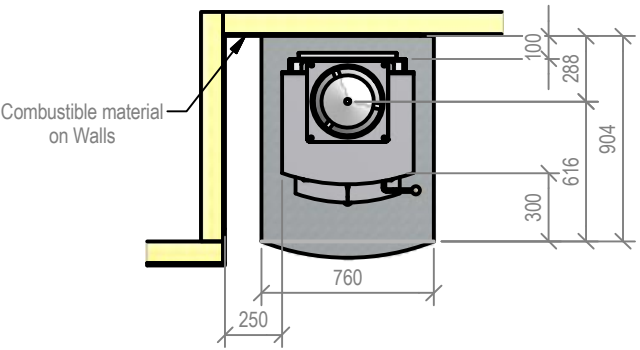
Side view

Warmington Industries Ltd.	
PH: 09 273 9227 FAX: 09 273 9241 WEB: www.warmington.co.nz	
TITLE	SOUTHERN SERIES FIRE - LEWIS
DRAWN	BRYCE
DATE	19/04/11
SCALE	REVISION 02

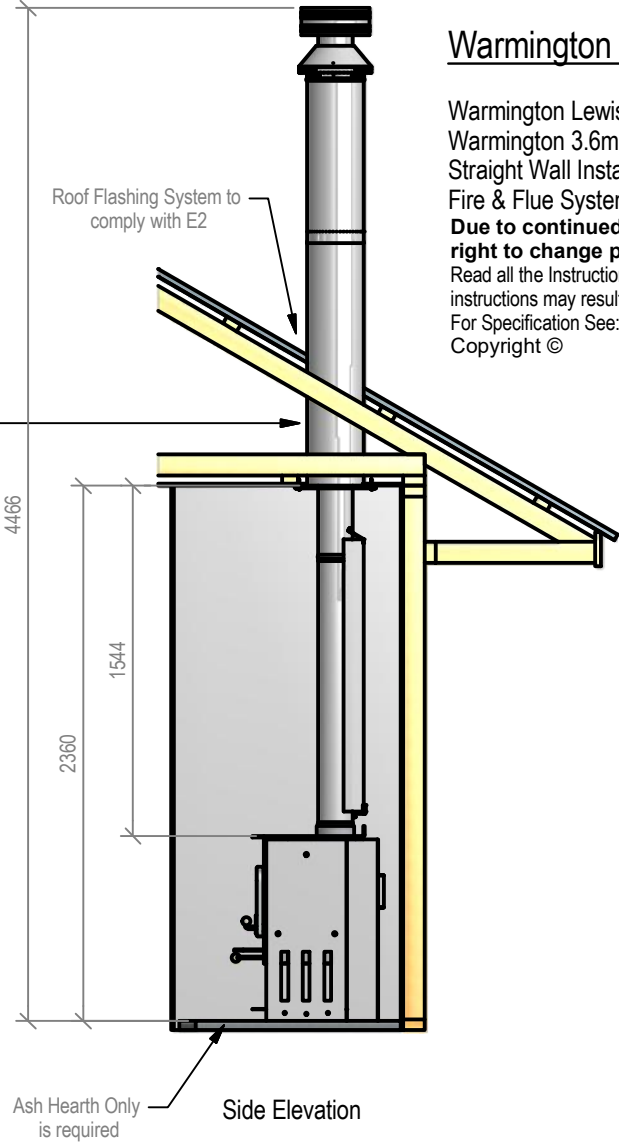


Front Elevation

Plan Elevation



See Specifications for required Bracing/Frameout for Warmington Freestanding Fluekits



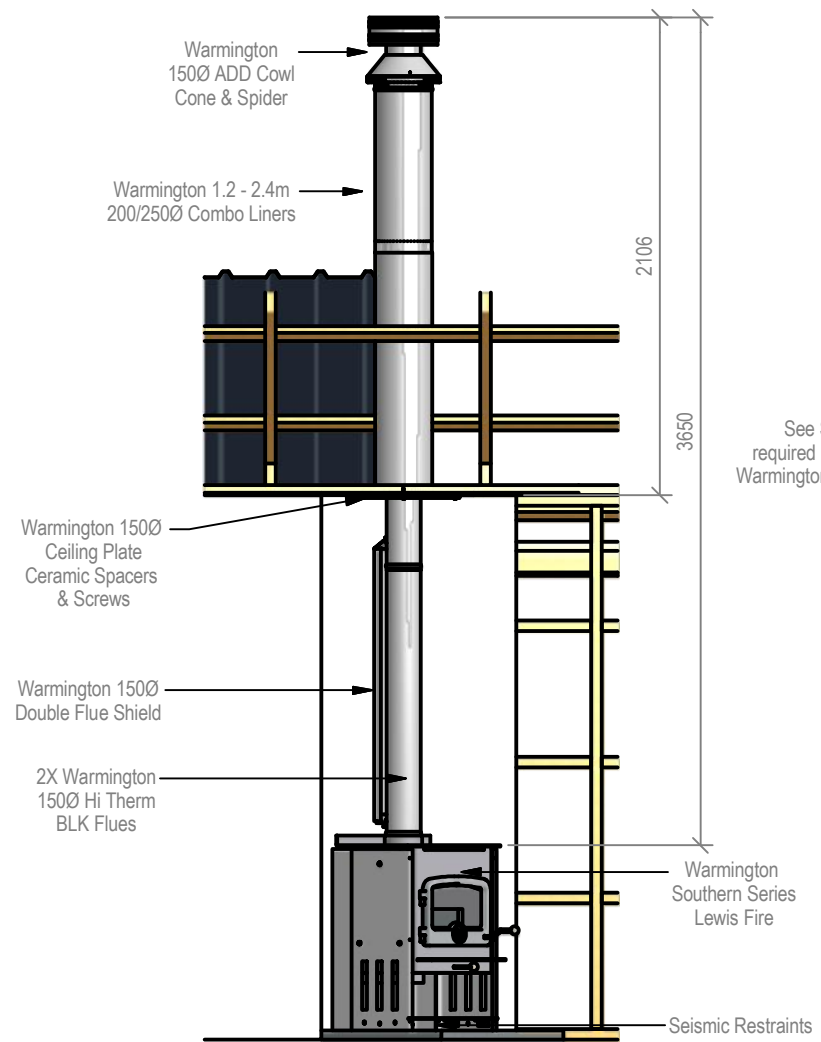
Side Elevation

Warmington Southern Series Fire

Warmington Lewis Firebox .
 Warmington 3.6m Freestanding Fluekit (1.2-2.4m Combo) .
 Straight Wall Installation .
 Fire & Flue System to comply with AS/NZS 2918:2001.
Due to continued product improvement, Warmington Ind LTD reserves the right to change product specifications without prior notification.
 Read all the Instructions carefully before commencing the Installation. Failure to follow these instructions may result in a fire hazard and void the warranty
 For Specification See: www.warmington.co.nz
 Copyright ©

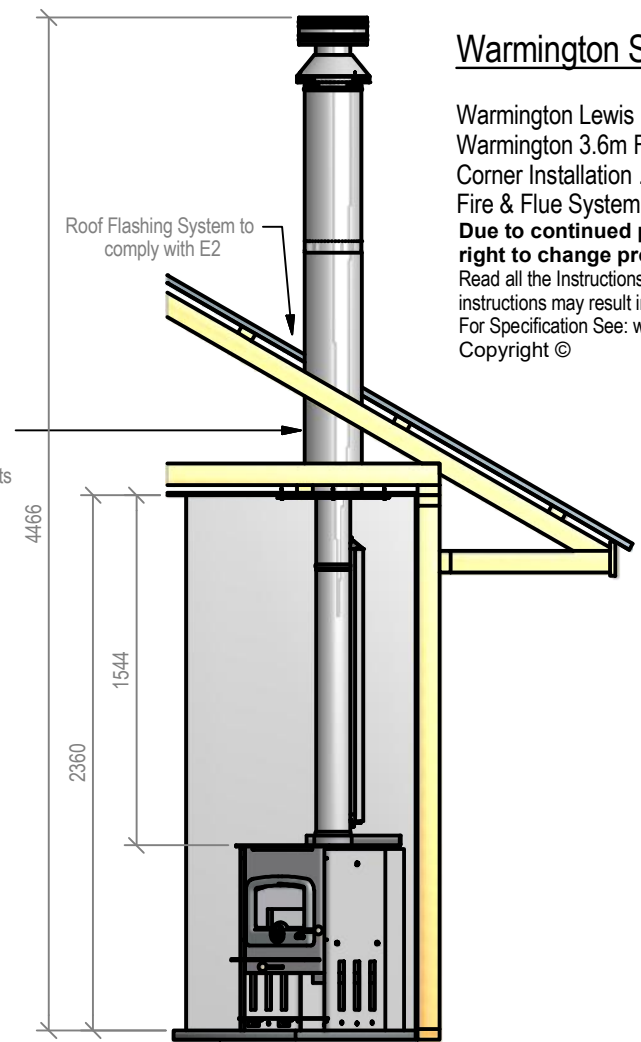
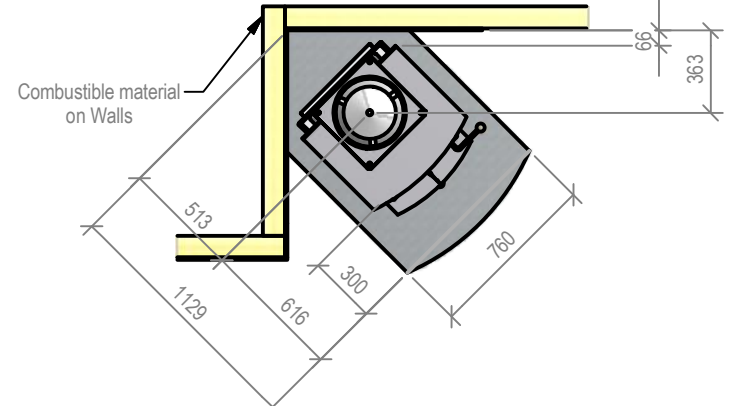
Warmington Lewis Fire & Warmington 3.6m Fluekit

Warmington Industries Ltd.	
PH: 09 273 9227 FAX: 09 273 9241 WEB: www.warmington.co.nz	
TITLE	SOUTHERN SERIES FIRE - LEWIS
DRAWN	BRYCE
DATE	11/04/11
SCALE	REVISION



Front Elevation

Plan Elevation



Side Elevation

Ash Floor Protector (Hearth) Only is required

Warmington Lewis Fire & Warmington 3.6m Fluekit

Warmington Southern Series Fire

Warmington Lewis Firebox .
 Warmington 3.6m Freestanding Fluekit (1.2-2.4m Combo) .
 Corner Installation .
 Fire & Flue System to comply with AS/NZS 2918:2001.
Due to continued product improvement, Warmington Ind LTD reserves the right to change product specifications without prior notification.
 Read all the Instructions carefully before commencing the Installation. Failure to follow these instructions may result in a fire hazard and void the warranty
 For Specification See: www.warmington.co.nz
 Copyright ©

Warmington Industries Ltd.	
PH: 09 273 9227 FAX: 09 273 9241 WEB: www.warmington.co.nz	
TITLE	SOUTHERN SERIES FIRE - LEWIS
DRAWN	BRYCE
DATE	11/04/11
SCALE	REVISION