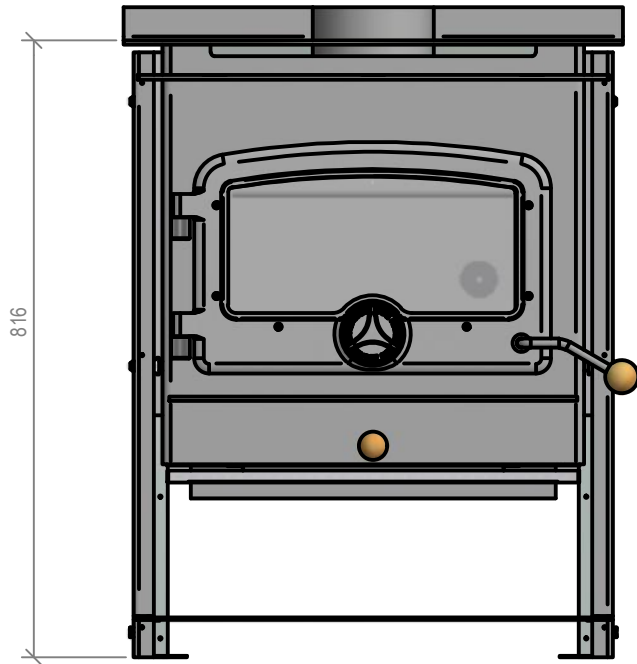
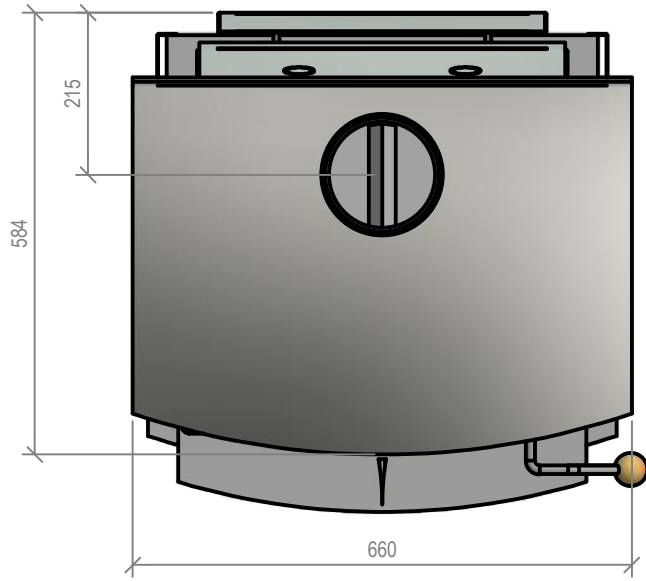


Plan view

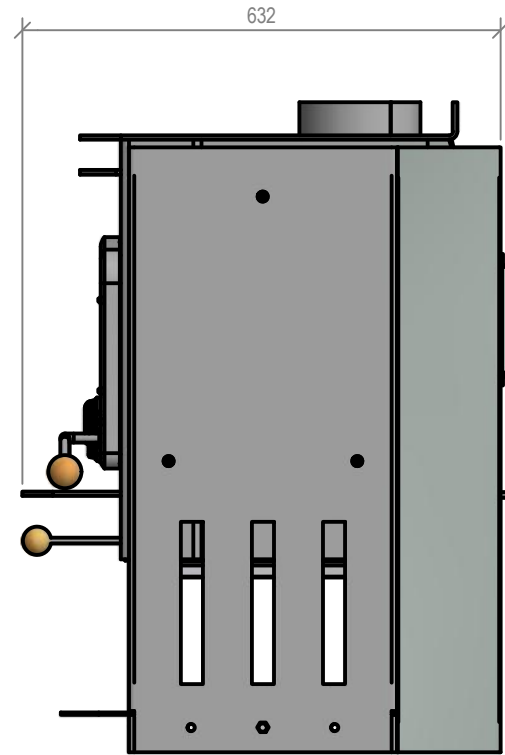


Front view

## Warmington Southern Series Fire

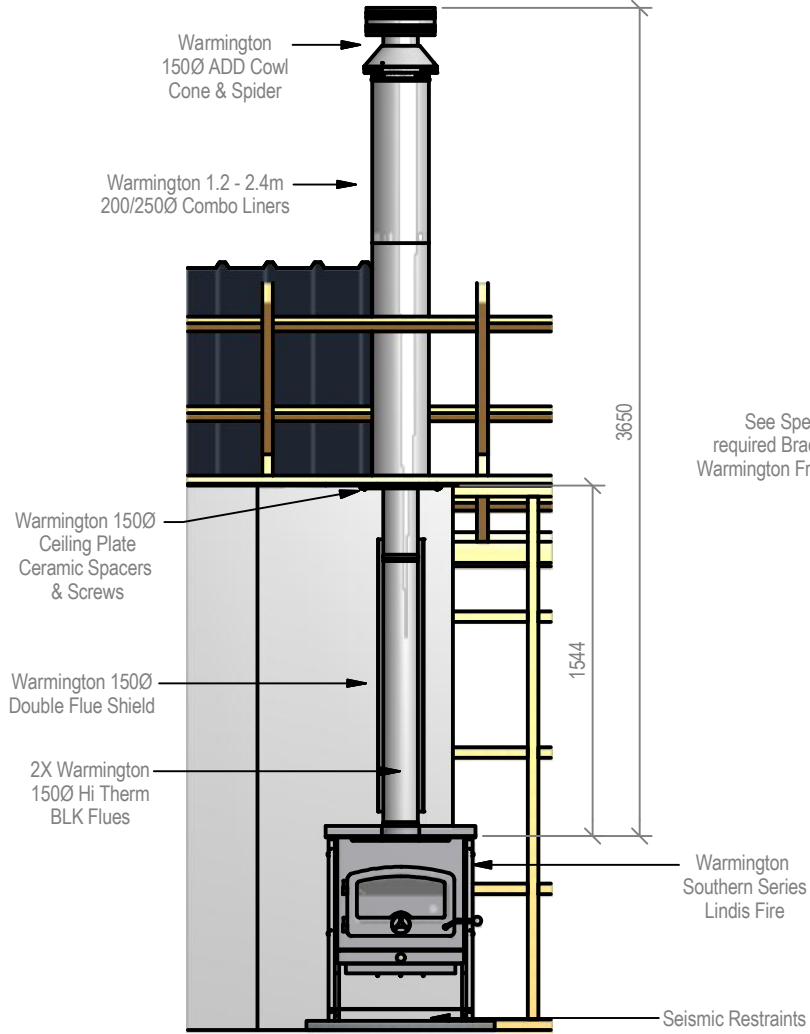
Warmington Lewis Firebox .  
 Warmington 3.6m Freestanding Fluekit (1.2-2.4m Combo) .  
 Straight Wall Installation .  
 Fire & Flue System to comply with AS/NZS 2918:2001.

**Due to continued product improvement, Warmington Ind LTD reserves the right to change product specifications without prior notification.**  
 Read all the Instructions carefully before commencing the Installation. Failure to follow these instructions may result in a fire hazard and void the warranty  
 For Specification See: [www.warmington.co.nz](http://www.warmington.co.nz)  
 Copyright ©

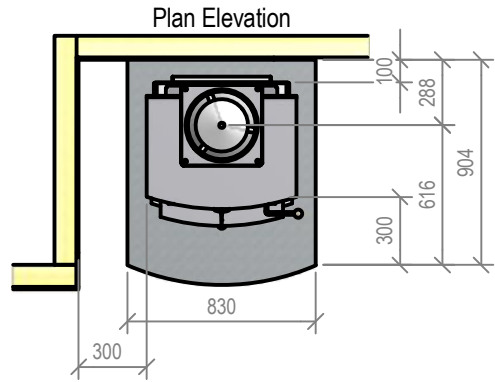


Side view

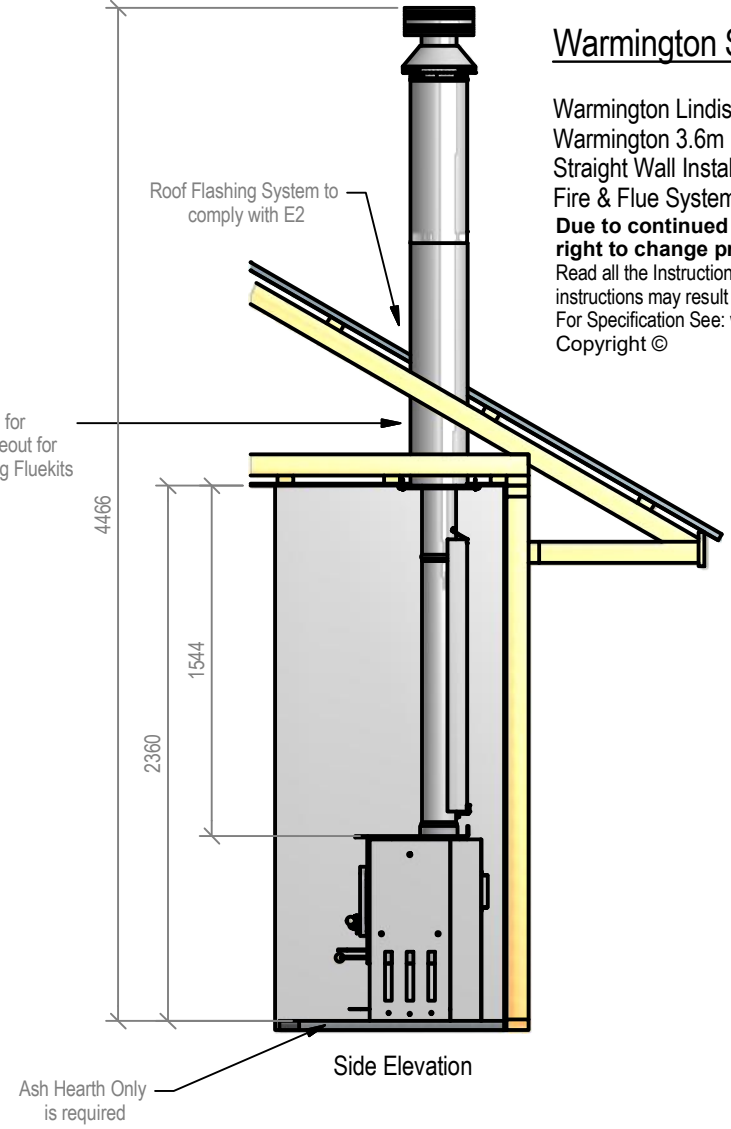
<b>Warmington Industries Ltd.</b>	
PH: 09 273 9227 FAX: 09 273 9241 WEB: <a href="http://www.warmington.co.nz">www.warmington.co.nz</a>	
TITLE	SOUTHERN SERIES FIRE - LINDIS
DRAWN	BRYCE
DATE	19/04/11
SCALE	REVISION 02



Front Elevation



Plan Elevation



Side Elevation

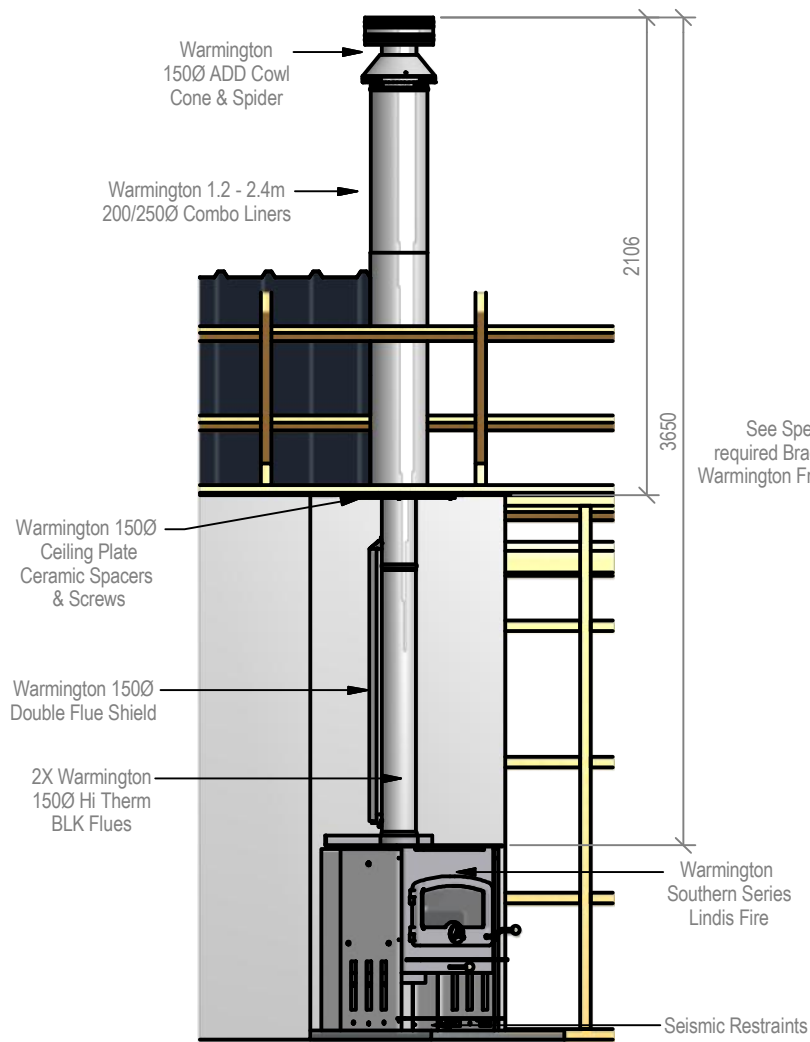
## Warmington Southern Series Fire

Warmington Lindis Firebox .  
 Warmington 3.6m Freestanding Fluekit (1.2-2.4m Combo) .  
 Straight Wall Installation .  
 Fire & Flue System to comply with AS/NZS 2918:2001.

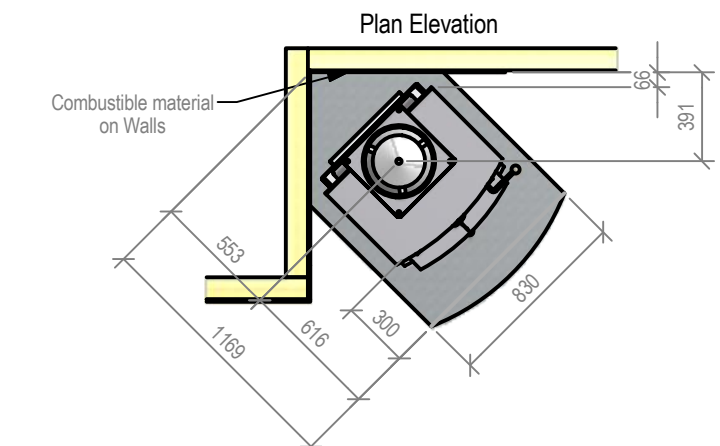
**Due to continued product improvement, Warmington Ind LTD reserves the right to change product specifications without prior notification.**  
 Read all the Instructions carefully before commencing the Installation. Failure to follow these instructions may result in a fire hazard and void the warranty  
 For Specification See: [www.warmington.co.nz](http://www.warmington.co.nz)  
 Copyright ©

<b>Warmington Industries Ltd.</b>	
PH: 09 273 9227 FAX: 09 273 9241 WEB: <a href="http://www.warmington.co.nz">www.warmington.co.nz</a>	
TITLE	SOUTHERN SERIES FIRE - LINDIS
DRAWN	BRYCE
DATE	1104/11
SCALE	REVISION

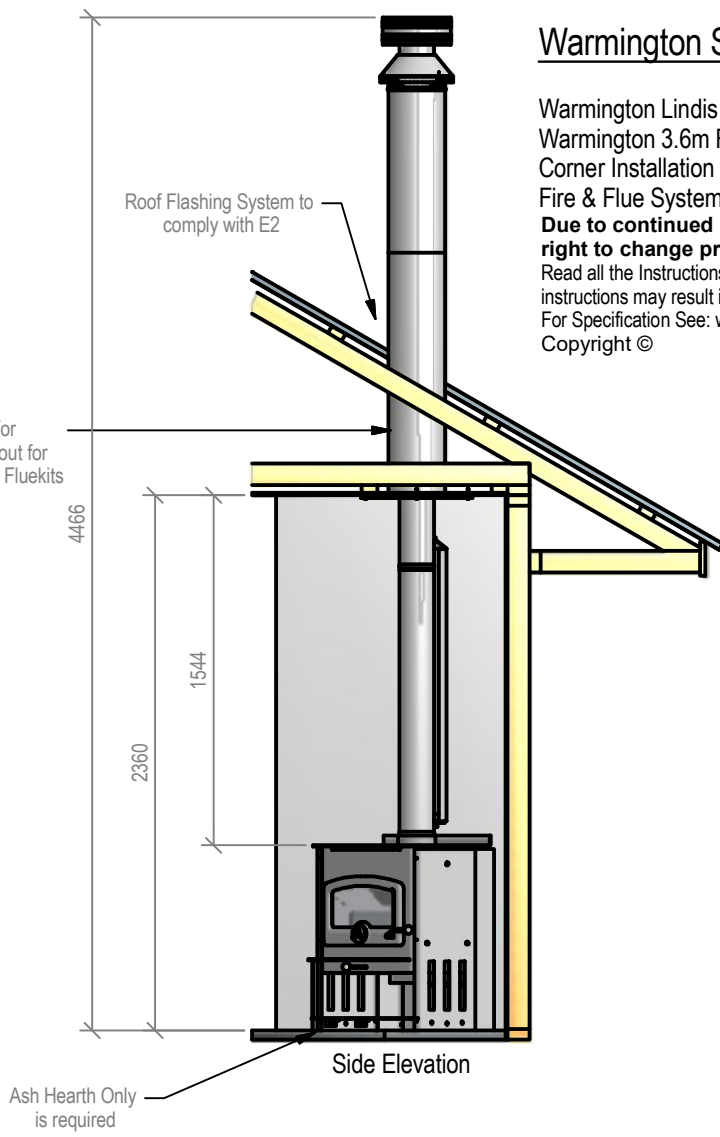
Warmington Lindis Fire & Warmington 3.6m Fluekit



Front Elevation



Plan Elevation



Side Elevation

See Specifications for required Bracing/Frameout for Warmington Freestanding Fluekits

## Warmington Southern Series Fire

Warmington Lindis Firebox .  
 Warmington 3.6m Freestanding Fluekit (1.2-2.4m Combo) .  
 Corner Installation .  
 Fire & Flue System to comply with AS/NZS 2918:2001.  
**Due to continued product improvement, Warmington Ind LTD reserves the right to change product specifications without prior notification.**  
 Read all the instructions carefully before commencing the Installation. Failure to follow these instructions may result in a fire hazard and void the warranty  
 For Specification See: [www.warmington.co.nz](http://www.warmington.co.nz)  
 Copyright ©

Warmington Lindis Fire &  
 Warmington 3.6m Fluekit

<b>Warmington Industries Ltd.</b>	
PH: 09 273 9227 FAX: 09 273 9241 WEB: <a href="http://www.warmington.co.nz">www.warmington.co.nz</a>	
TITLE	SOUTHERN SERIES FIRE - LINDIS
DRAWN	BRYCE
DATE	11/04/11
SCALE	REVISION