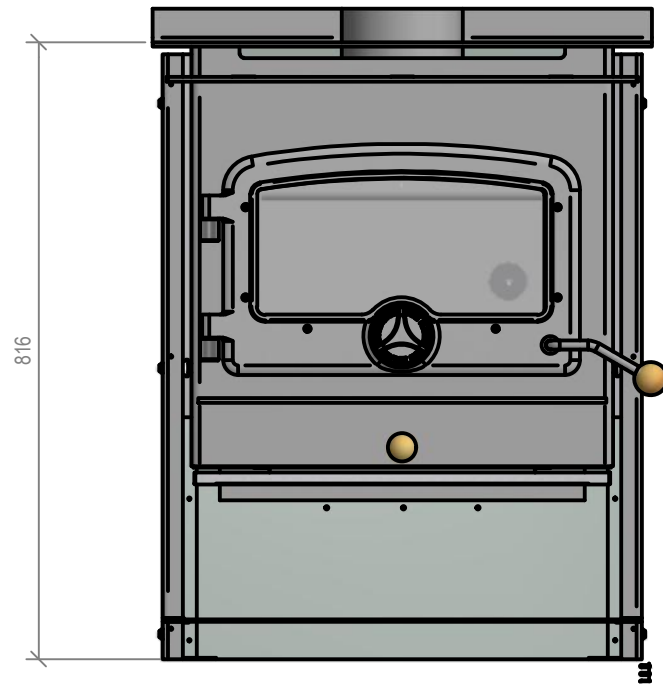
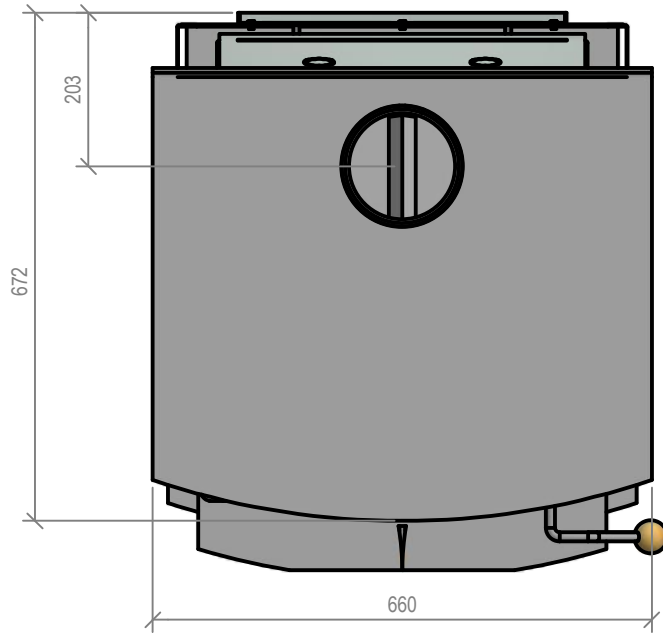


Plan view

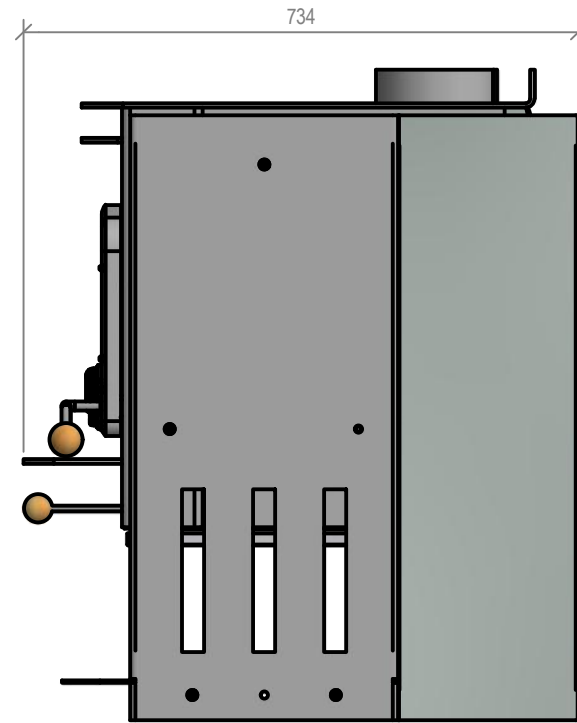


Front view

Warmington Southern Series Fire

Warmington Lewis Firebox .
 Warmington 3.6m Freestanding Fluekit (1.2-2.4m Combo) .
 Straight Wall Installation .
 Fire & Flue System to comply with AS/NZS 2918:2001.

Due to continued product improvement, Warmington Ind LTD reserves the right to change product specifications without prior notification.
 Read all the Instructions carefully before commencing the Installation. Failure to follow these instructions may result in a fire hazard and void the warranty
 For Specification See: www.warmington.co.nz
 Copyright ©

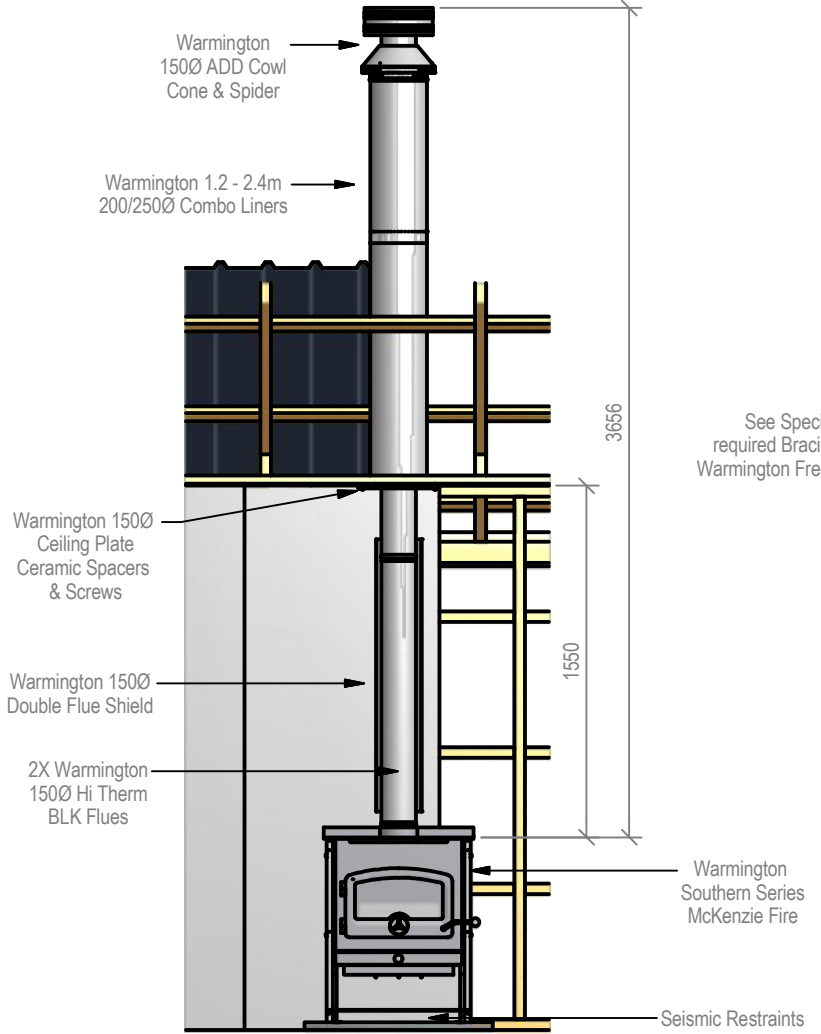


Side view

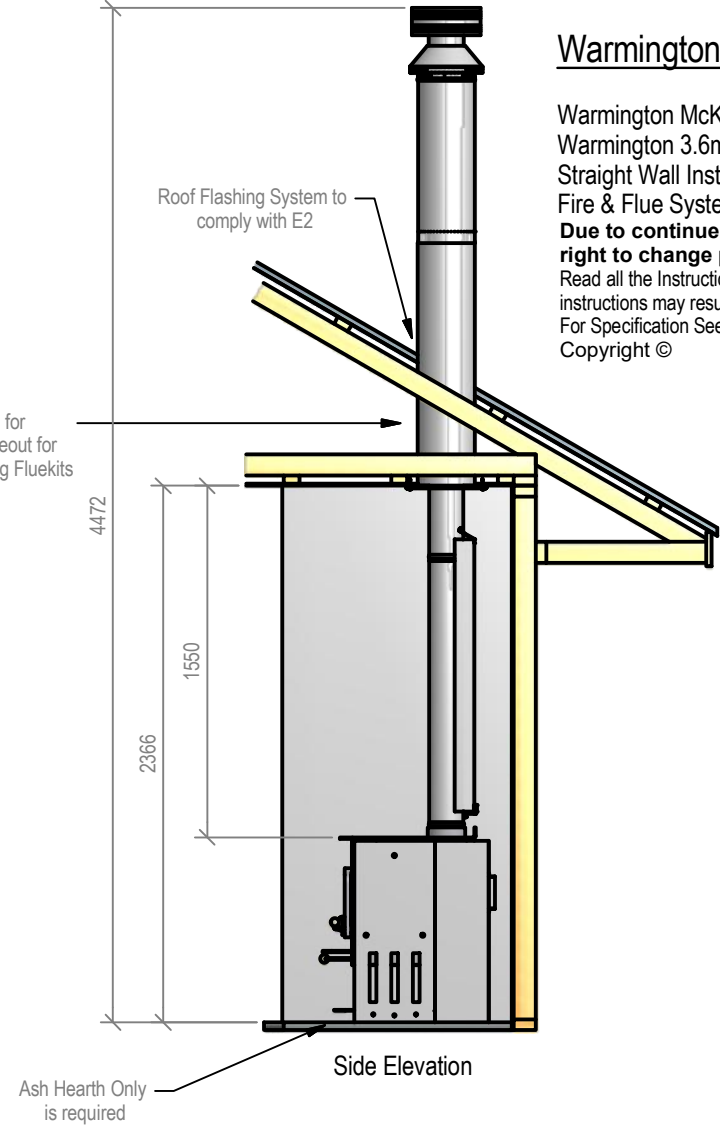
Warmington Industries Ltd.	
PH: 09 273 9227 FAX: 09 273 9241 WEB: www.warmington.co.nz	
TITLE	SOUTHERN SERIES FIRE - MCKENZIE
DRAWN	BRYCE
DATE	19/04/11
SCALE	REVISION 02

Warmington Southern Series Fire

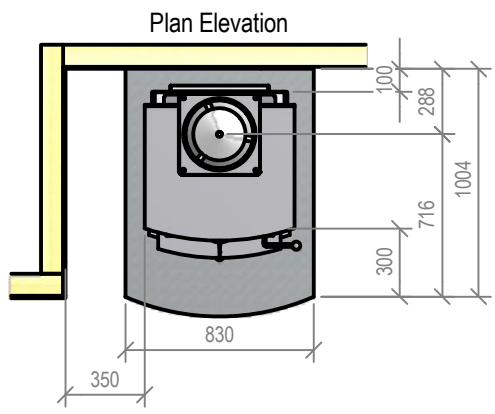
Warmington McKenzie Firebox .
 Warmington 3.6m Freestanding Fluekit (1.2-2.4m Combo) .
 Straight Wall Installation .
 Fire & Flue System to comply with AS/NZS 2918:2001.
Due to continued product improvement, Warmington Ind LTD reserves the right to change product specifications without prior notification.
 Read all the Instructions carefully before commencing the Installation. Failure to follow these instructions may result in a fire hazard and void the warranty
 For Specification See: www.warmington.co.nz
 Copyright ©



Front Elevation



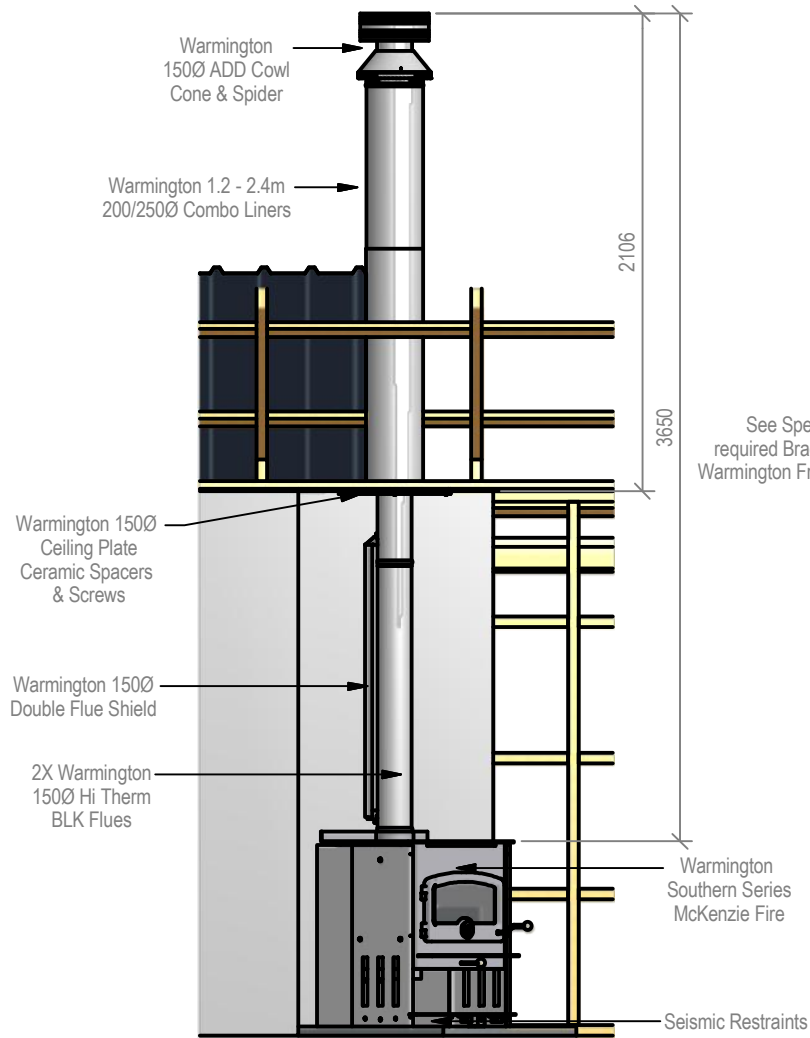
Side Elevation



Plan Elevation

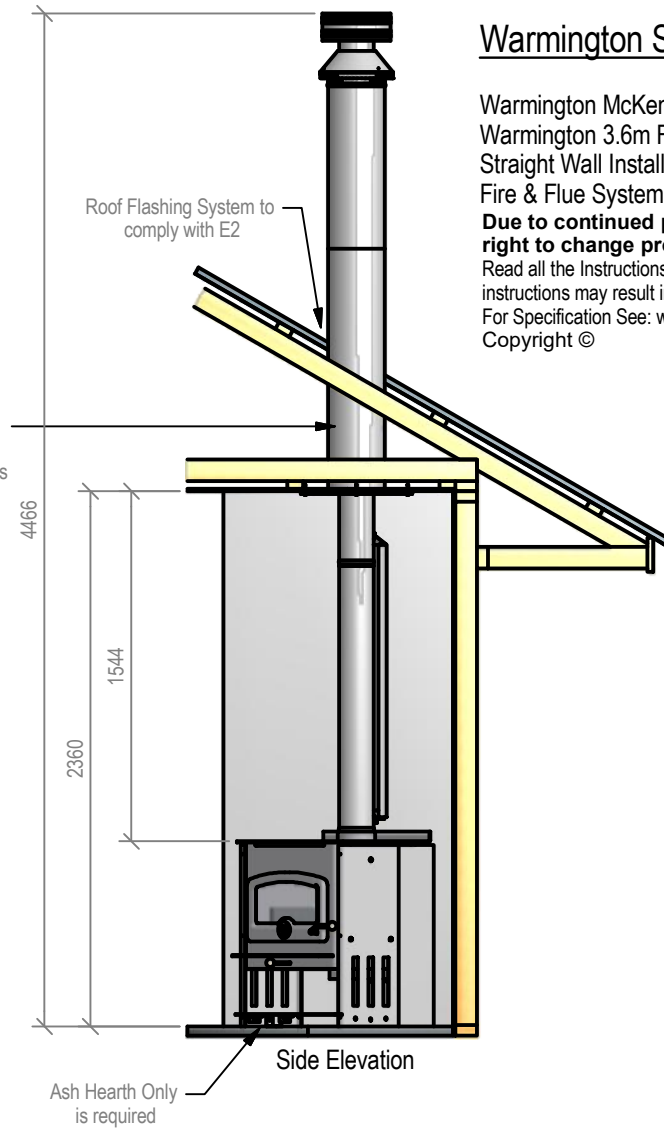
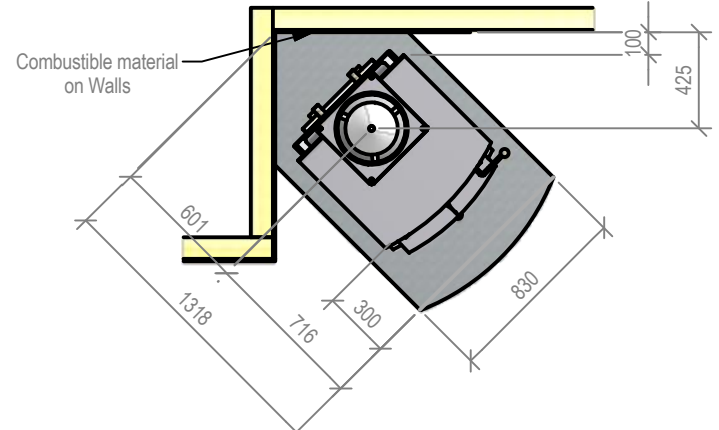
Warmington McKenzie Fire & Warmington 3.6m Fluekit

Warmington Industries Ltd.	
PH: 09 273 9227 FAX: 09 273 9241 WEB: www.warmington.co.nz	
TITLE	SOUTHERN SERIES FIRE - MC KENZIE
DRAWN	BRYCE
DATE	13/04/11
SCALE	REVISION



Front Elevation

Plan Elevation



Side Elevation

Warmington Southern Series Fire

Warmington McKenzie Firebox .
 Warmington 3.6m Freestanding Fluekit (1.2-2.4m Combo) .
 Straight Wall Installation .
 Fire & Flue System to comply with AS/NZS 2918:2001.

Due to continued product improvement, Warmington Ind LTD reserves the right to change product specifications without prior notification.
 Read all the Instructions carefully before commencing the Installation. Failure to follow these instructions may result in a fire hazard and void the warranty
 For Specification See: www.warmington.co.nz
 Copyright ©

See Specifications for required Bracing/Frameout for Warmington Freestanding Fluekits

Warmington McKenzie Fire & Warmington 3.6m Fluekit

Warmington Industries Ltd.	
PH: 09 273 9227 FAX: 09 273 9241 WEB: www.warmington.co.nz	
TITLE	SOUTHERN SERIES FIRE - MC KENZIE
DRAWN	BRYCE
DATE	13/04/11
SCALE	REVISION