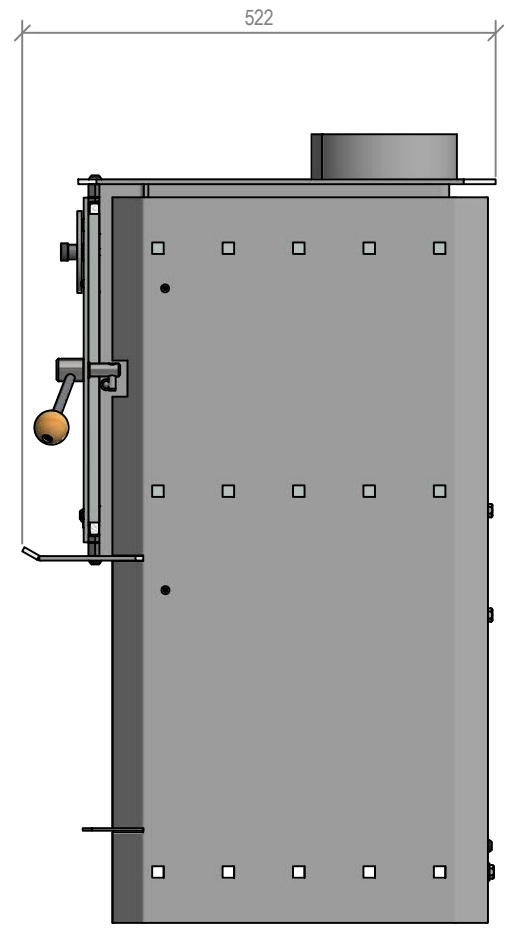
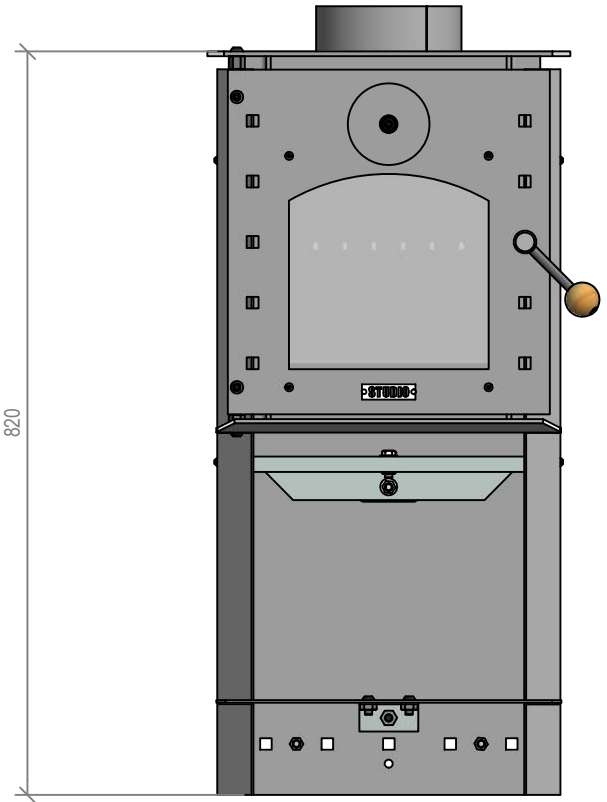
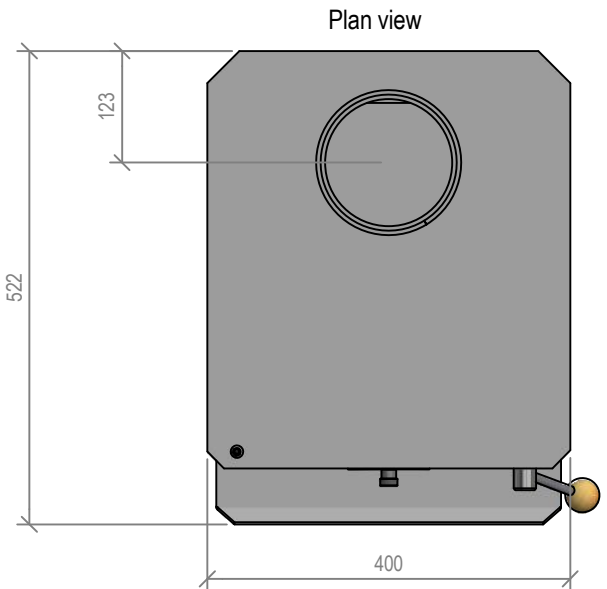
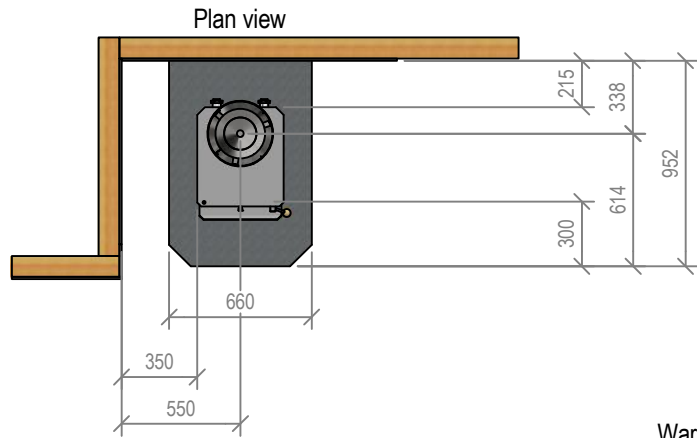


Warmington Studio Fire

Warmington Studio Firebox .
 Fire & Flue System to comply with AS/NZS 2918:2001.
Due to continued product improvement, Warmington Ind LTD reserves the right to change product specifications without prior notification.
 Read all the Instructions carefully before commencing the Installation. Failure to follow these instructions may result in a fire hazard and void the warranty
 For Specification See: www.warmington.co.nz
 Copyright ©



Warmington Industries Ltd.			
PH: 09 273 9227 FAX: 09 273 9241 WEB: www.warmington.co.nz			
TITLE STUDIO 14 FIREBOX			
DRAWN	EML YN	DATE	20/04/18
SCALE	NOT TO SCALE	REVISION	03



Warmington Studio Fire

Straight Wall Installation.

SITUATION 1 - Combustible clearances

Warmington 3.6m Freestanding Fluekit (1.2-2.4m Combo) .

Fire & Flue System to comply with AS/NZS 2918:2001.

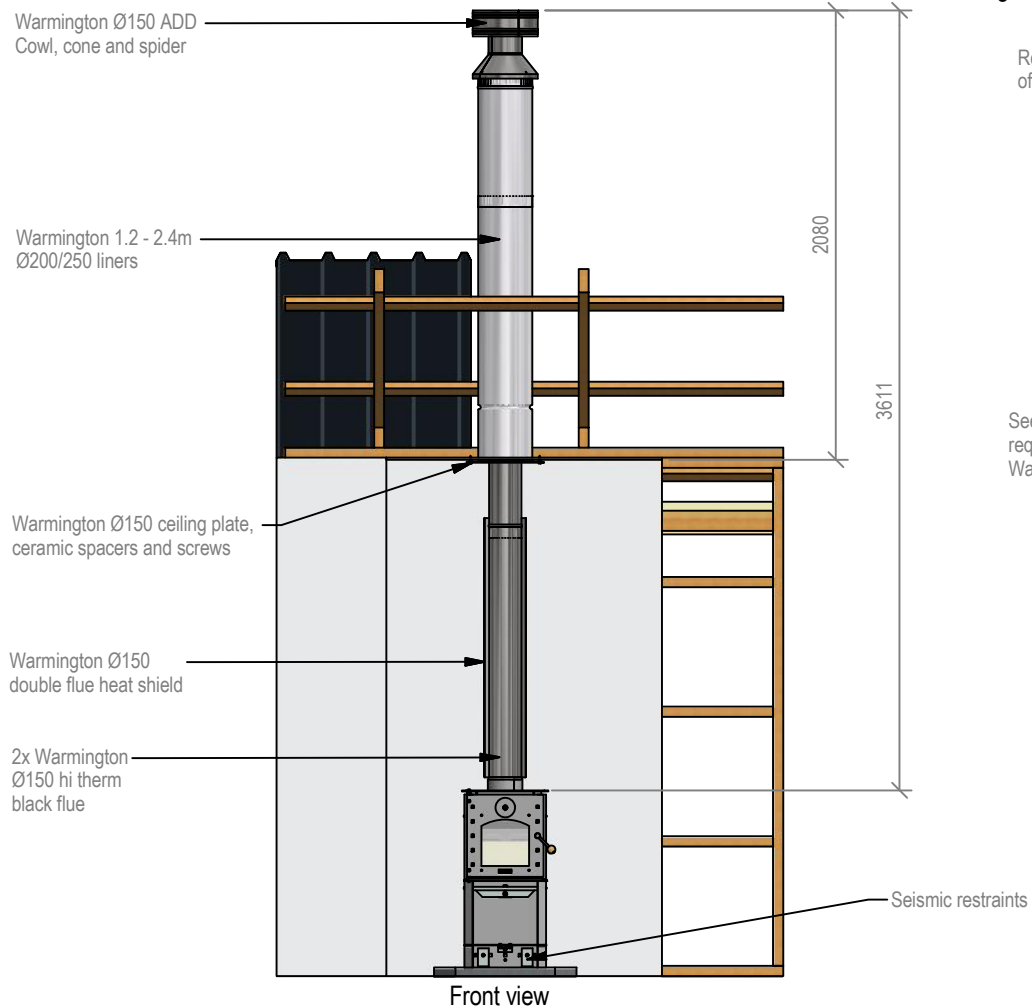
Due to continued product improvement, Warmington Ind LTD reserves the right to change product specifications without prior notification.

Read all the Instructions carefully before commencing the Installation. Failure to follow these instructions may result in a fire hazard and void the warranty

For Specification See: www.warmington.co.nz

Copyright ©

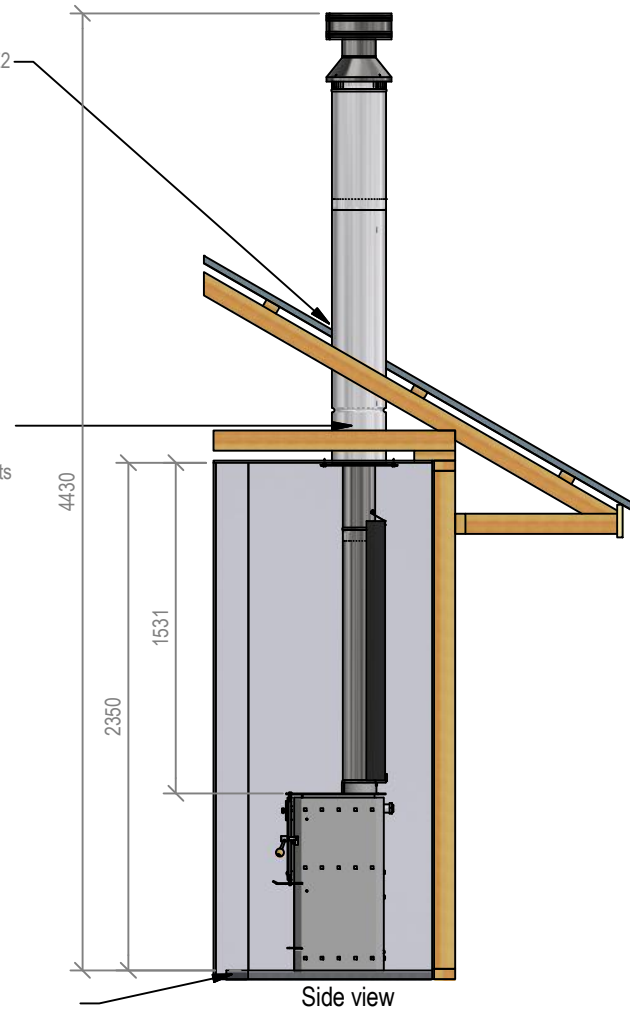
Warmington Studio fire & Warmington 3.6m fluekit



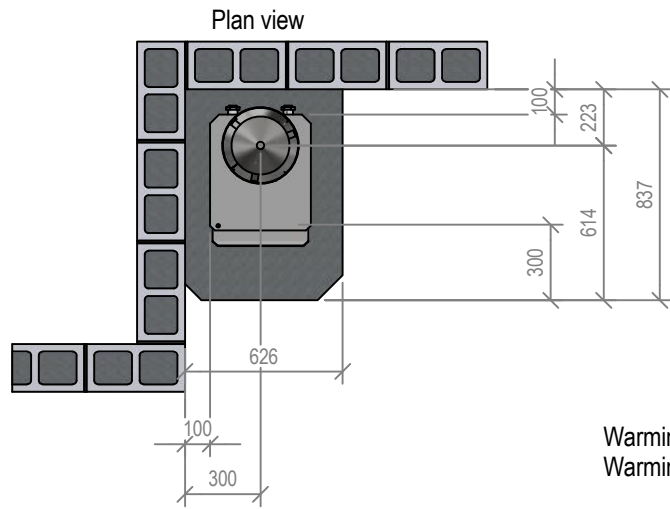
Roof flashing to comply with E2 of building code

See specifications for required bracing/ frameout for Warmington freestanding fluekits

Ash hearth
Insulating floor protector not required



Warmington Industries Ltd.	
PH: 09 273 9227 FAX: 09 273 9241 WEB: www.warmington.co.nz	
TITLE STUDIO 14 FIRE - STRAIGHT INSTALLATION - SITUATION 1	
DRAWN EMLYN	DATE 23/04/18
SCALE NOT TO SCALE	REVISION 03



Warmington Studio Fire

Straight Wall Installation.

SITUATION 2 - Non-combustible clearances

Warmington 3.6m freestanding fluekit (1.2-2.4m combo) .

Fire & flue system to comply with AS/NZS 2918:2001.

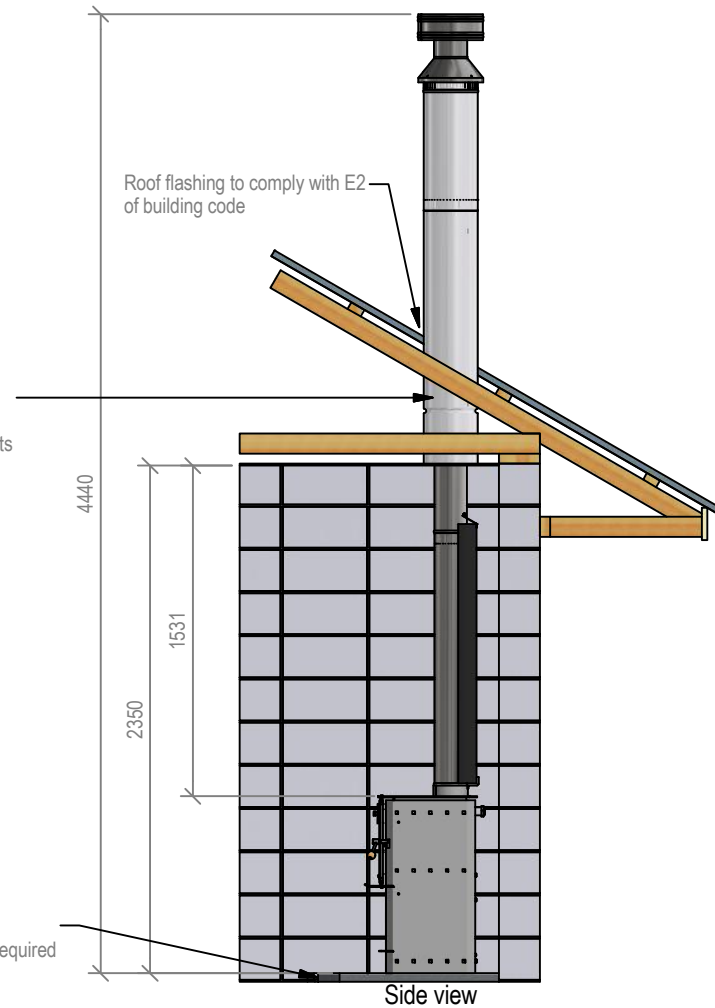
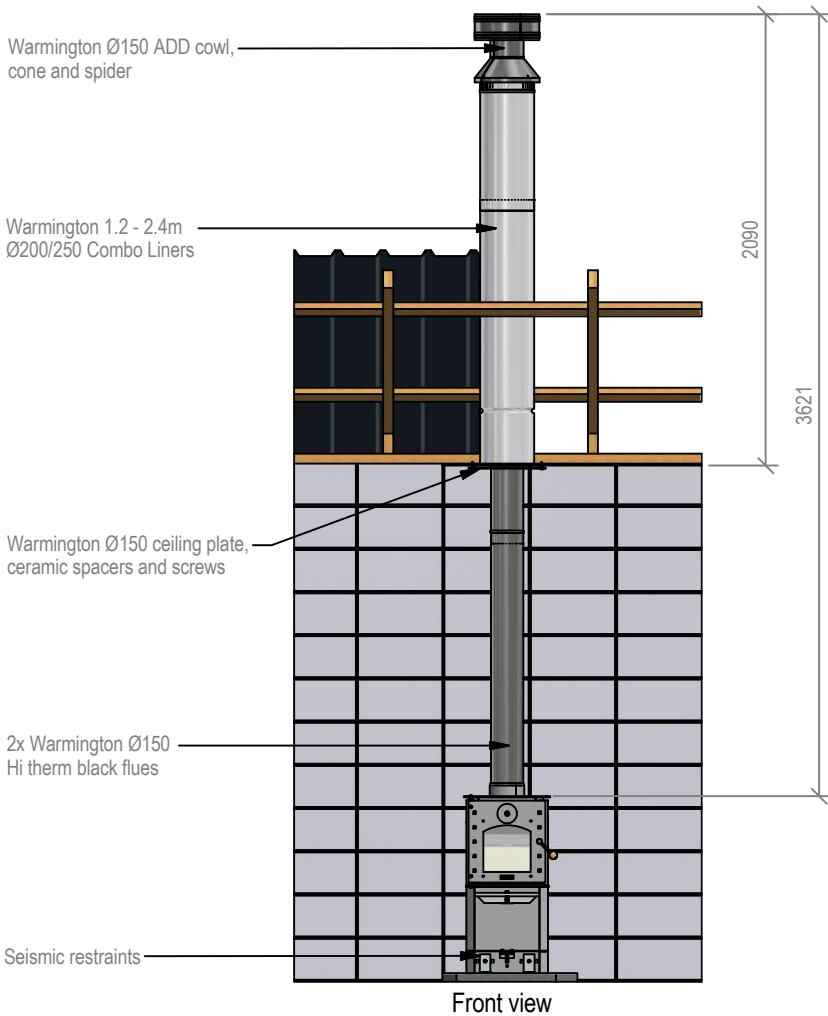
Due to continued product improvement, Warmington Ind LTD reserves the right to change product specifications without prior notification.

Read all the Instructions carefully before commencing the Installation. Failure to follow these instructions may result in a fire hazard and void the warranty

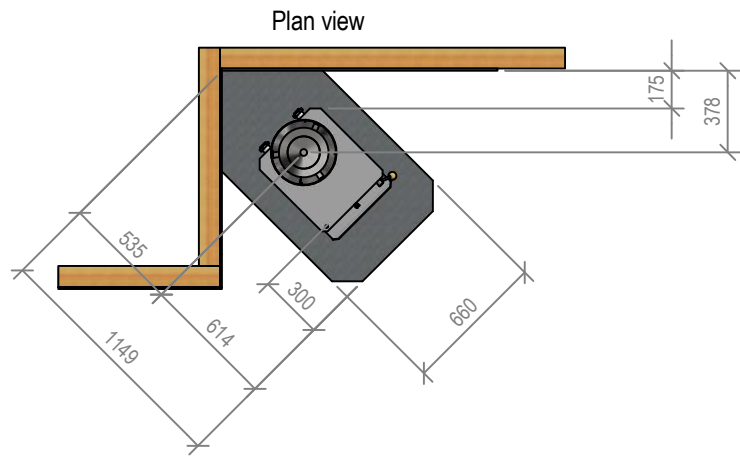
For Specification See: www.warmington.co.nz

Copyright ©

Warmington Studio fire & Warmington 3.6m fluekit



Warmington Industries Ltd.			
PH: 09 273 9227 FAX: 09 273 9241 WEB: www.warmington.co.nz			
TITLE STUDIO 14 FIRE - STRAIGHT INSTALLATION- SITUATION 2			
DRAWN	EMLYN	DATE	22/03/18
SCALE	NOT TO SCALE	REVISION	03



Warmington Studio Fire

Corner Installation

SITUATION 1 - Combustible clearances

Warmington 3.6m Freestanding Fluekit (1.2-2.4m Combo) .

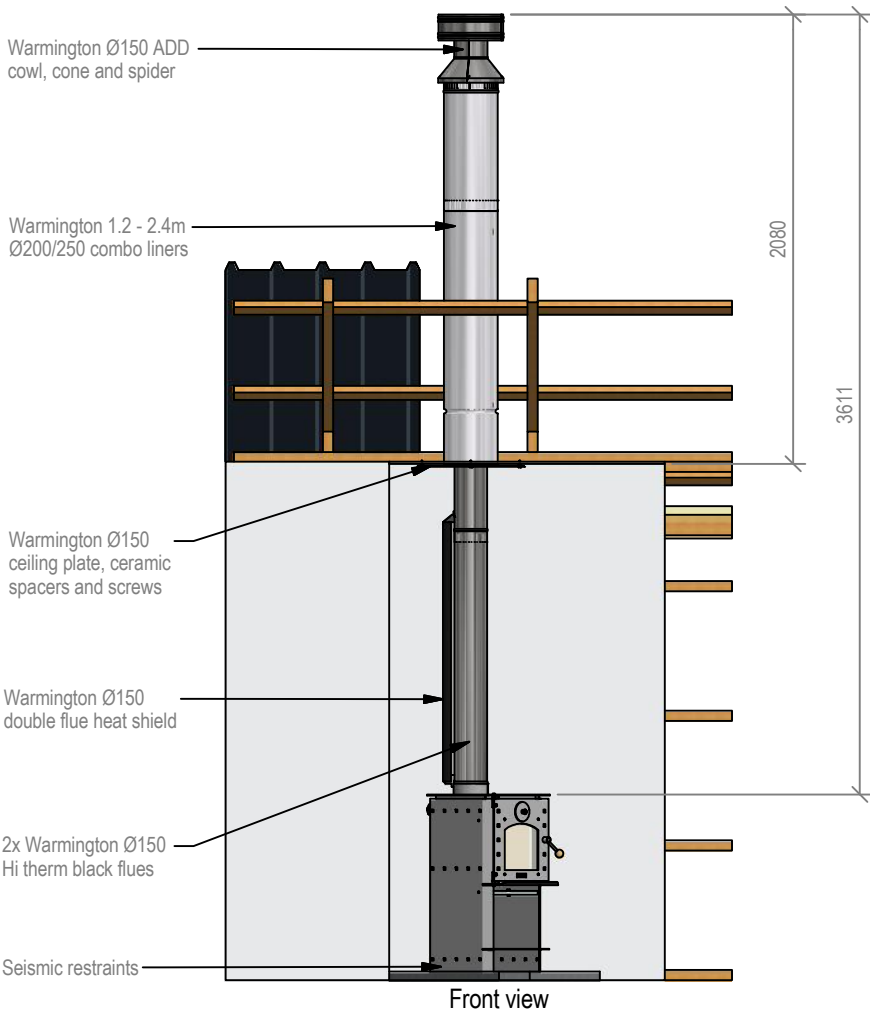
Fire & Flue System to comply with AS/NZS 2918:2001.

Due to continued product improvement, Warmington Ind LTD reserves the right to change product specifications without prior notification.

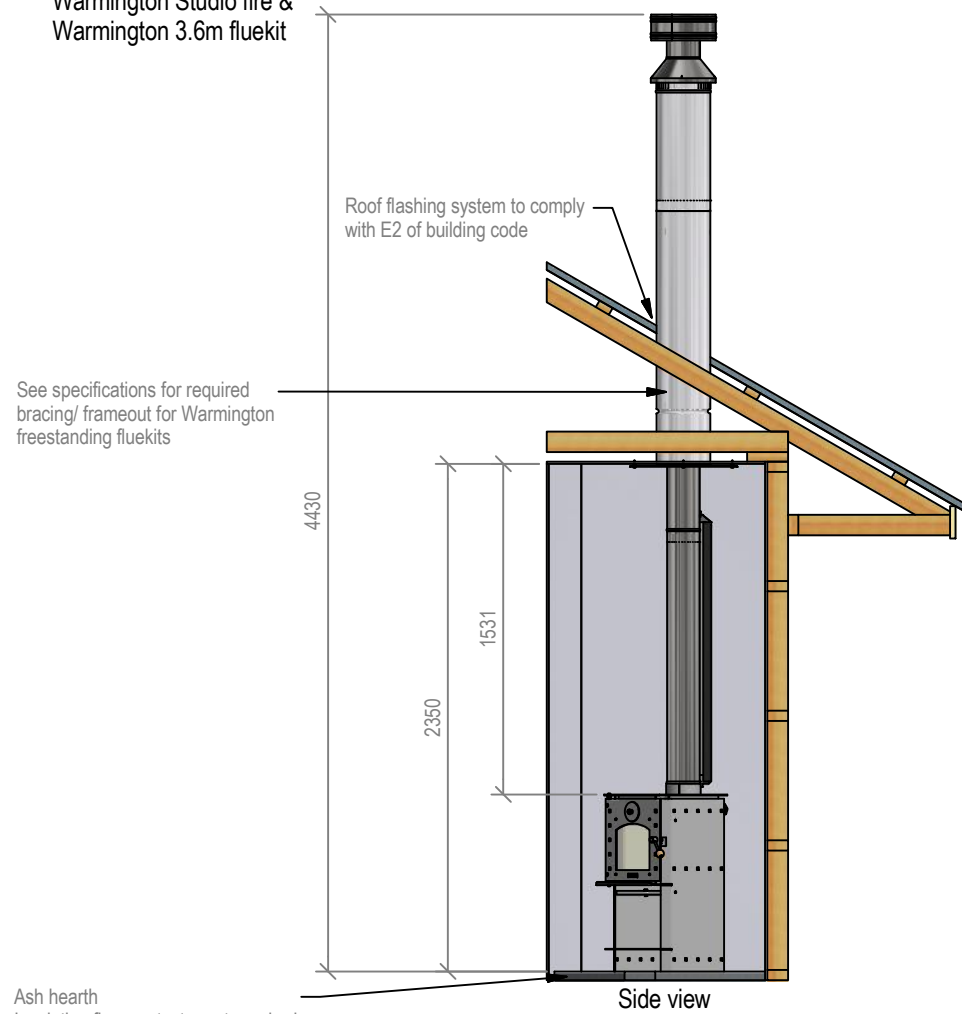
Read all the instructions carefully before commencing the installation. Failure to follow these instructions may result in a fire hazard and void the warranty.

For specifications go to www.warmington.co.nz

Copyright ©

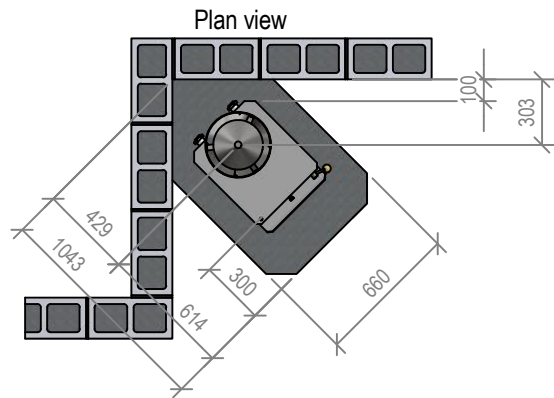


Warmington Studio fire & Warmington 3.6m fluekit



Ash hearth
Insulating floor protector not required

Warmington Industries Ltd.	
PH: 09 273 9227 FAX: 09 273 9241 WEB: www.warmington.co.nz	
TITLE	STUDIO 14 FIRE - CORNER INSTALLATION - SITUATION 1
DRAWN	EMLYN
DATE	23/04/18
SCALE	NOT TO SCALE
REVISION	03



Warmington Studio Fire

Corner Installation.

SITUATION 2 - Non-combustible clearances

Warmington 3.6m freestanding fluekit (1.2-2.4m combo).

Fire & flue system to comply with AS/NZS 2918:2001.

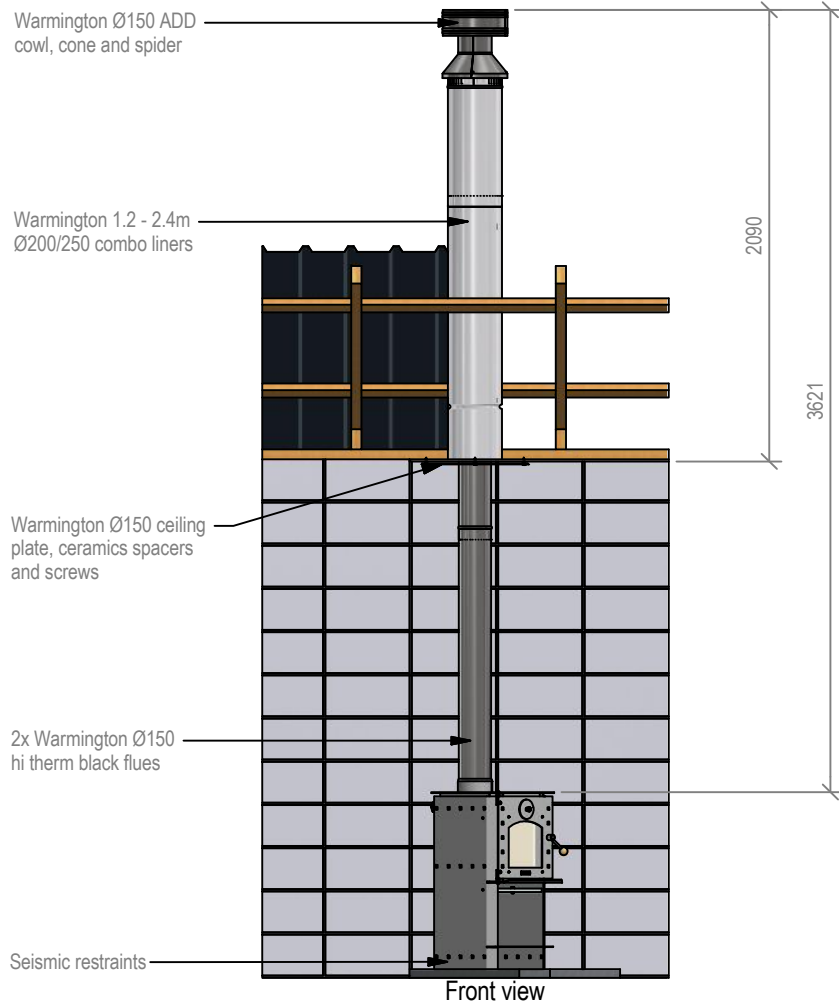
Due to continued product improvement, Warmington Ind LTD reserves the right to change product specifications without prior notification.

Read all the instructions carefully before commencing the installation. Failure to follow these instructions may result in a fire hazard and void the warranty.

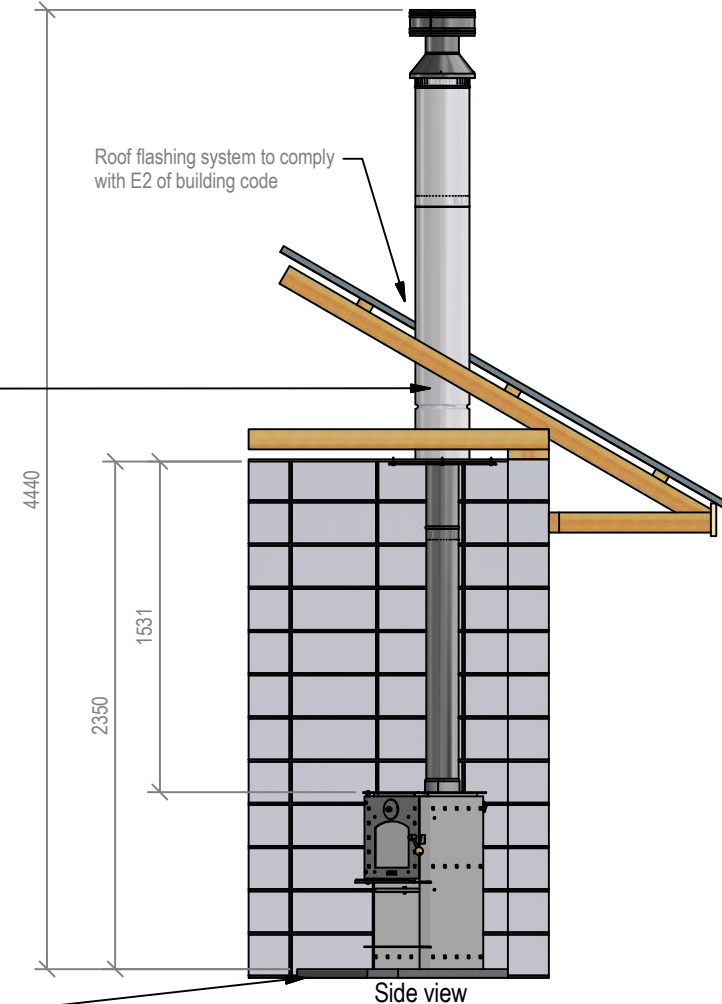
For specifications go to www.warmington.co.nz

Copyright ©

Warmington Studio fire & Warmington 3.6m fluekit



See specifications for required bracing/ frameout for Warmington freestanding fluekit



Warmington Industries Ltd.		PH: 09 273 9227 FAX: 09 273 9241 WEB: www.warmington.co.nz	
TITLE STUDIO 14 FIRE - CORNER INSTALLATION - SITUATION 2			
DRAWN	EMLYN	DATE	23/03/18
SCALE	NOT TO SCALE	REVISION	03