

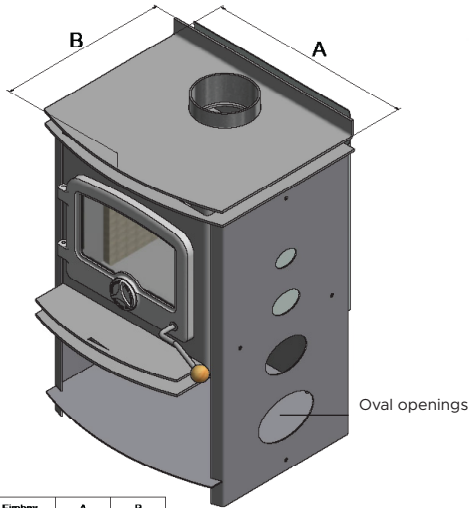
SOUTHERN SERIES MODEL CHANGES



How to identify the Old model (Rural) versus the New Model (Clean Air).

OLD STYLE (before 2005) - Rural

Design & Dimensions:



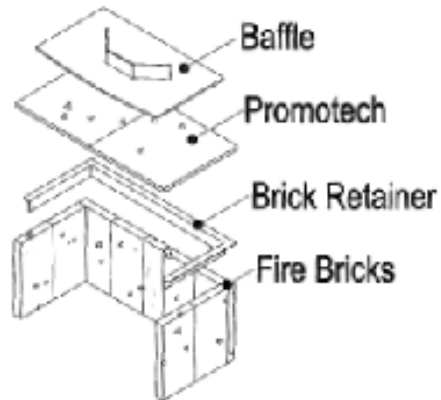
Firebox	A	B
Lewis	580	480
Lindis	650	485
McKenzie	710	485

Bricks:



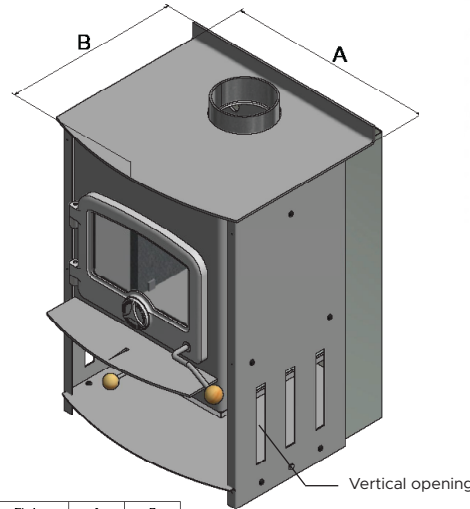
- Cream bricks**
 Lewis - x7 (230x115x25mm) & x1 (230x90x25)
 Lindis - x8 (230x115x25mm) & x1 (230x60x25)
 McKenzie - x9 (230x115x25mm)

Assembly:



NEW STYLE (from 2005) - Clean Air

Design & Dimensions:



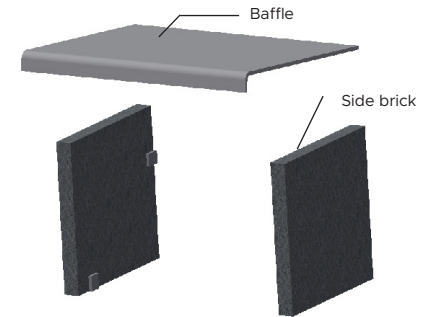
Firebox	A	B
Lewis	580	495
Lindis	660	500
McKenzie	660	600

Bricks:

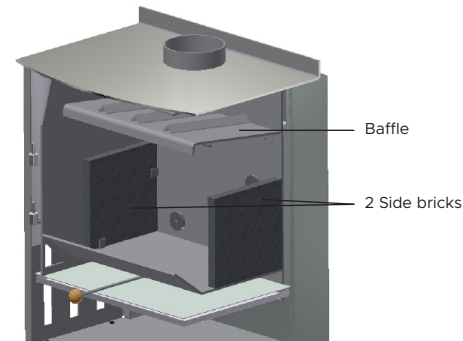


- Grey bricks**
 Lewis - x2 (240x240x25mm)
 Lindis - x2 (240x240x25mm)
 McKenzie - x2 (240x240x25mm) & x2 (240x125x25)

Brick layout:



Lewis/Lindis:



McKenzie:

