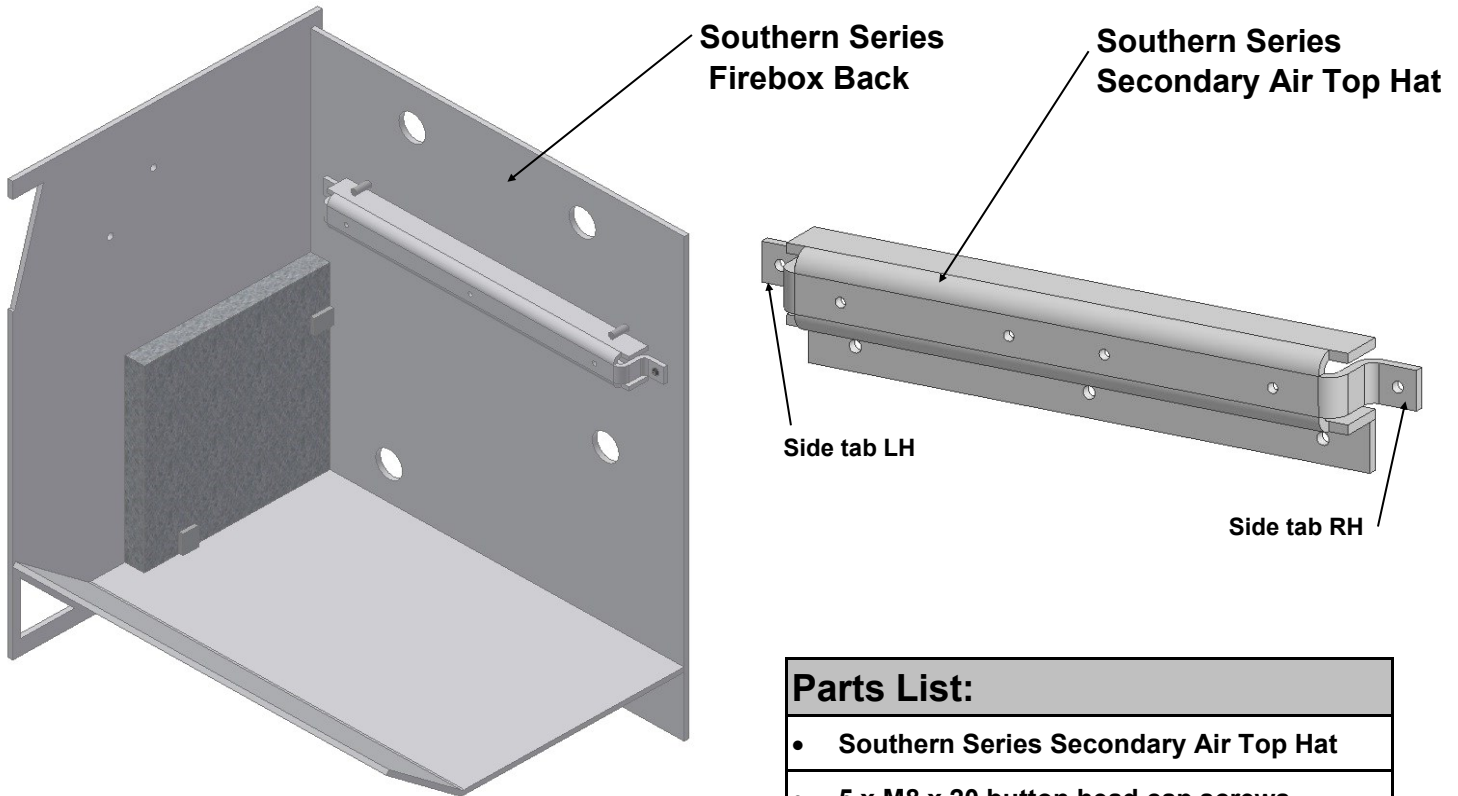


Southern Series Secondary Air Top Hat

Installation Instructions



Parts List:
• Southern Series Secondary Air Top Hat
• 5 x M8 x 20 button head cap screws
• M8 Tap
• 6.7mm Drill bit
• 5mm Allen Key (not supplied)

Instructions:
1. Remove bricks and baffle from the firebox.
2. Pre-drill (to 6.7mm) and M8 tap the outer most secondary air holes (one on each side) on the firebox back.
3. Line up the top hat at the back of the fire. The two holes on the side tabs should line up with the outer most secondary air holes drilled/ tapped in part 1. The top hat should also sit just below the baffle pins. Use two of the supplied M8 x 20 cap screws to bolt the top hat in place (using supplied Allen key).
4. Using the top hat as a guide locator, drill a further three holes to 6.7mm and tap to M8.
5. Bolt in the remaining M8 x 20 cap screws.
6. Replace the baffle and firebricks.

Due to continued product improvement, Warmington Ind LTD reserves the right to change product specifications without prior notification.

All dimensions are in mm

Copyright