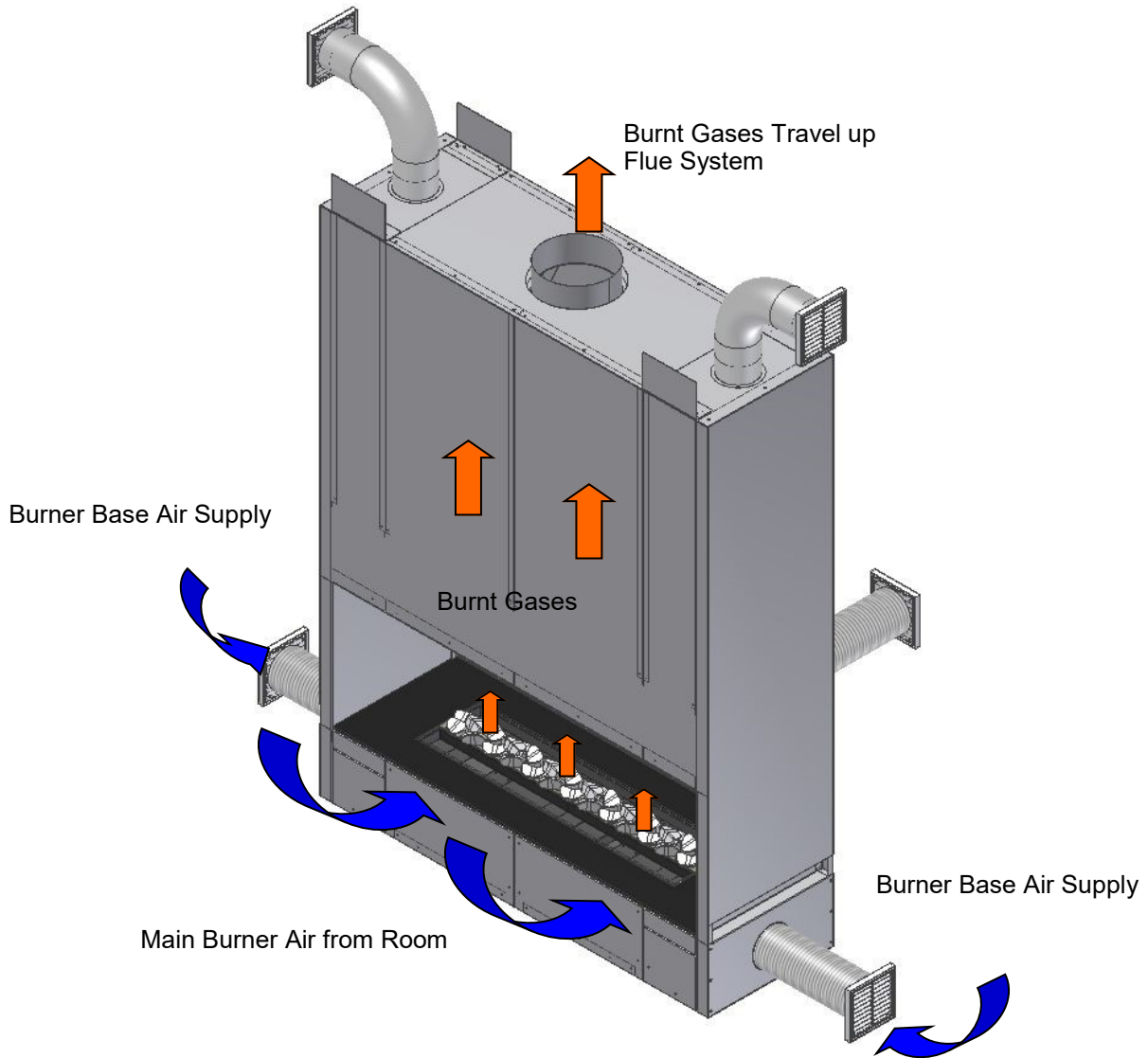


VENTING

Venting burner cavity and Alcove cavity



Visit www.warmington.co.nz for Spec's, DWG's and PDF uploads of Fires

Fire , Flue System and Instructions to Comply with ASNZS 2918:2001

Keep these Instructions for further reference.....Ensure that you have the correct and current Installation details for the Warmington Fire

Installation

The Warmington unit is to be Installed by a Certified Warmington Installer or an Approved NZHHA Installation Technician.
See www.homeheat.co.nz/members for Certified NZHHA SFAIT Installer in your area .

IMPORTANT

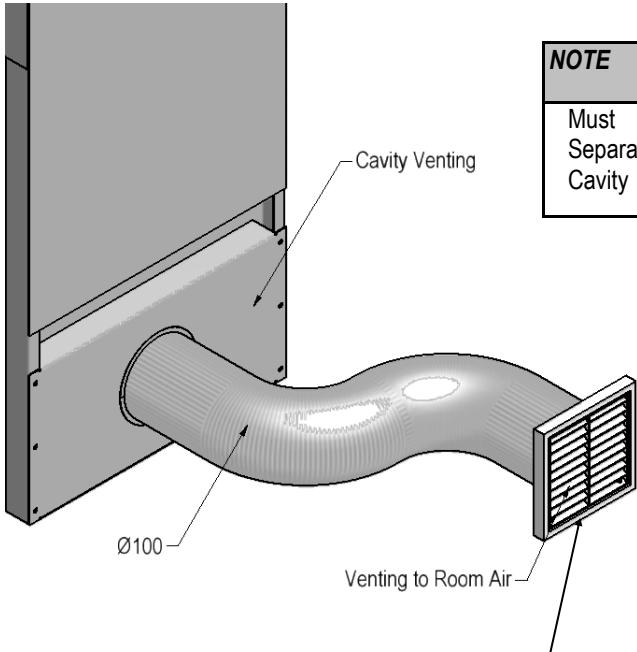
Read all the Instructions carefully before commencing the Installation. Failure to follow these Instructions may result in a Fire Hazard and void the Warranty

VENTING THE BURNER CAVITY ONLY - General

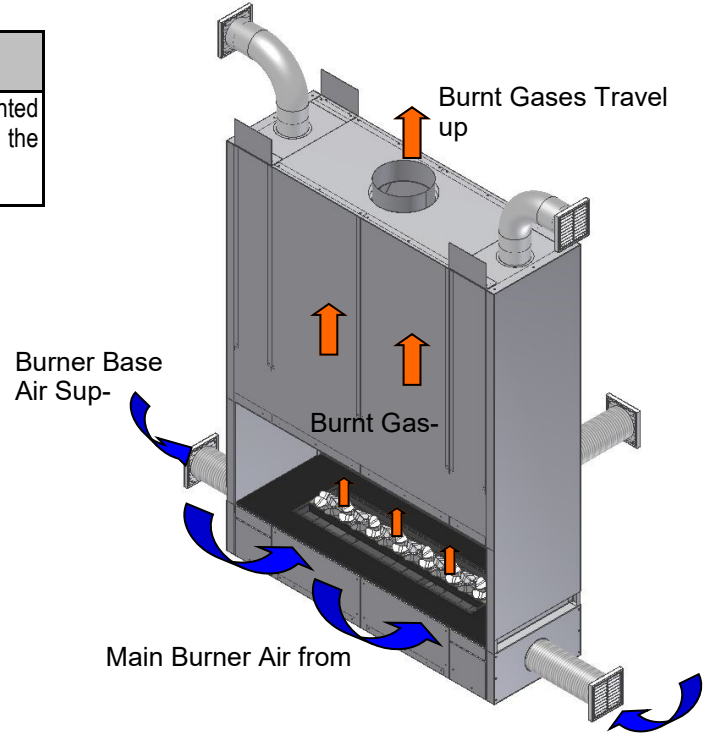
IMPORTANT NOTE

The Burner and the Burner Base are to be Vented into the same air space. E.G. the Room that the Burner is taking its air from must be the same as the position of the Vent for the Burner Base.

The Burner Base must be Vented separately to the Alcove and Flue System
 - This is to Avoid the Flames and Heat being drawn from the Fire, Down into the Burner Base and up into the cavity - Heating and Damaging the Control System.



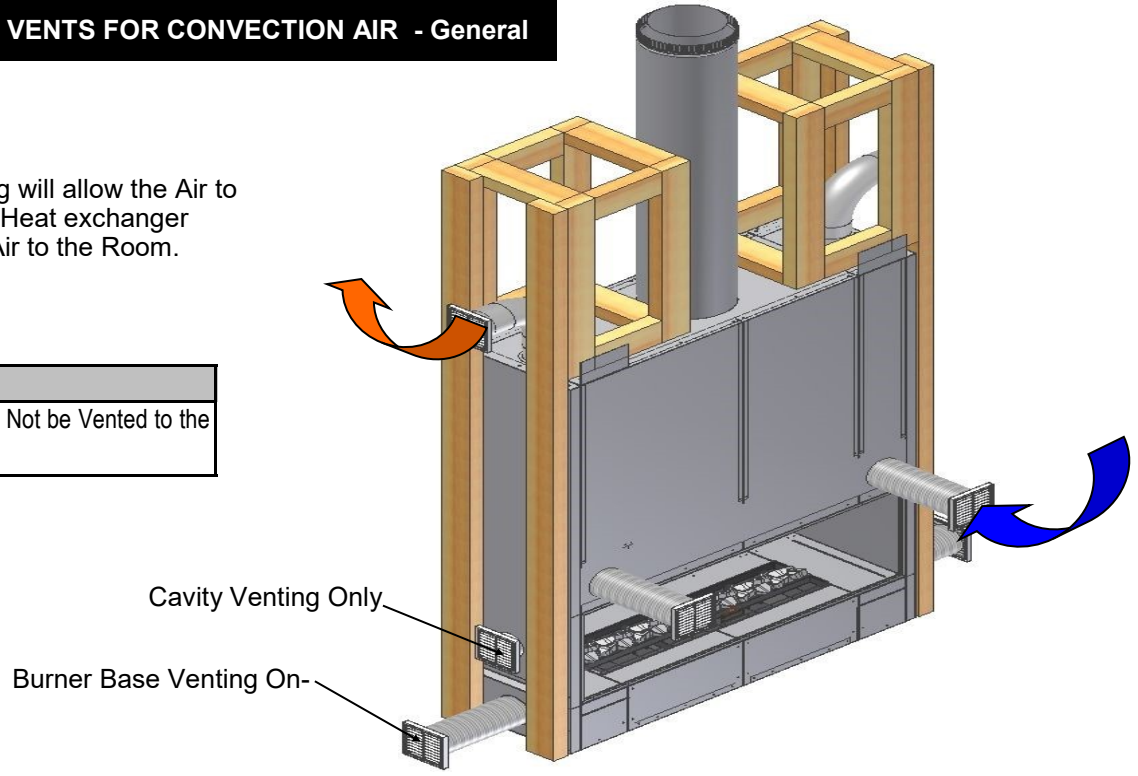
From the Room that the Burner takes its Air



VENTING THE CAVITY & VENTS FOR CONVECTION AIR - General

The Cavity Venting will allow the Air to move through the Heat exchanger Returning Warm Air to the Room.

NOTE
 This Cavity Air Must Not be Vented to the Burner Cavity



FIREBOX INSTALLATION

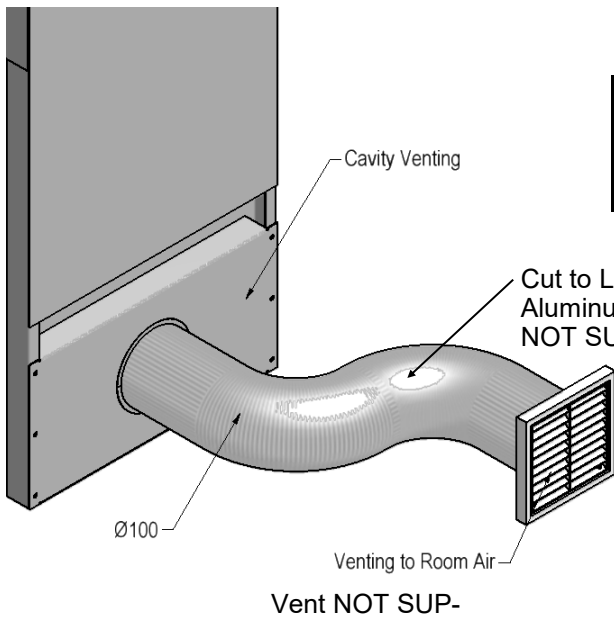
This is a general installation guide only – Contact a “NZHHA Installer” or Gas Fitter for Installation Advice.

1. All the dimensions are minimums
2. Fit the Plinth into position in the Cavity. If onto a wooden floor ensure that an insulating plinth is fitted as per the specifications. Ensure that the plinth is elevated to allow for finishing on the hearth. (See Hearth and plinth details)
3. Fit the firebox into the Cavity. Bolt the fire box to the plinth or through to the floor with the bolting point provided on the Left and Right hand sides of the fire box (seismic restraints).
4. Install the flue system.

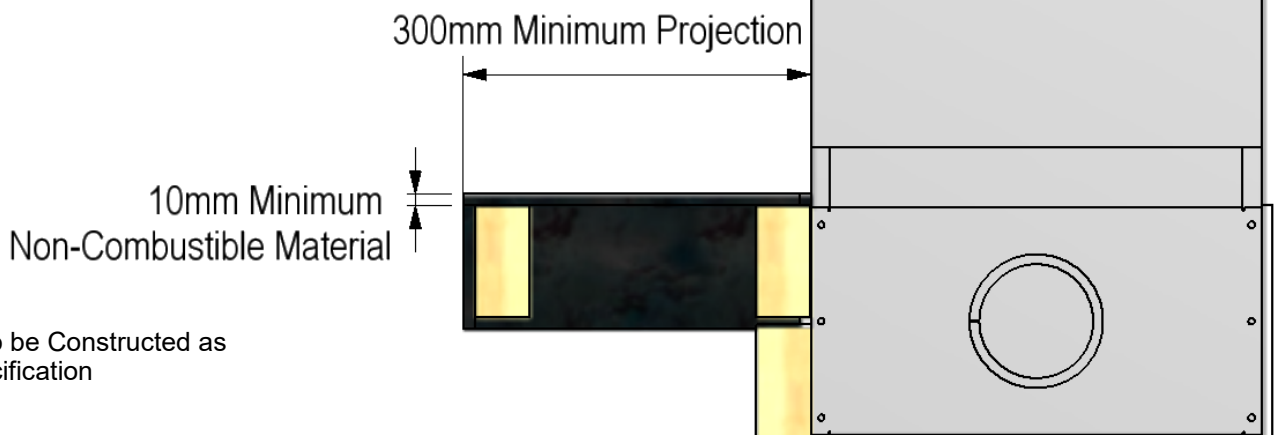
HEARTH & PLINTH CONSTRUCTION DETAILS

IMPORTANT NOTE : See Burner Venting

Note: Hearth and Plinth Construction.
 Plinth to be off set above hearth by the hearth finishing's (e.g. tiles / granite / plaster / etc)



Note
 Vent & Duct
 NOT SUP-
 PLIED



NOTE:
 Hearth to be Constructed as
 Per Specification