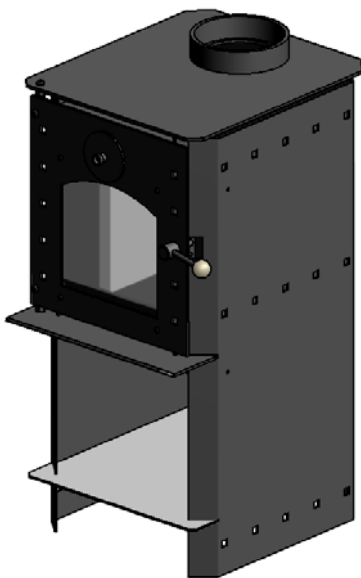


# Studio Stove, Studio Oven & OH-AH Door Adjustment Instructions

Visit [www.warmington.co.nz](http://www.warmington.co.nz) for Spec's, DWG's and PDF uploads of Fires

**No : 1**

The Studio Door and Hinge has been designed to give a wide range of adjustment.



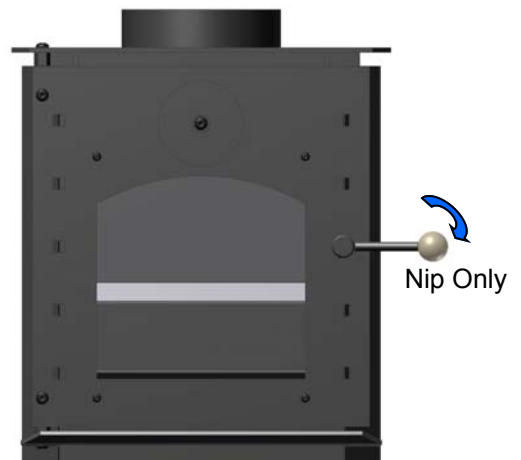
**No : 2**

Have all the Screws and the Nuts just loose so the door can move with a slight amount of force.



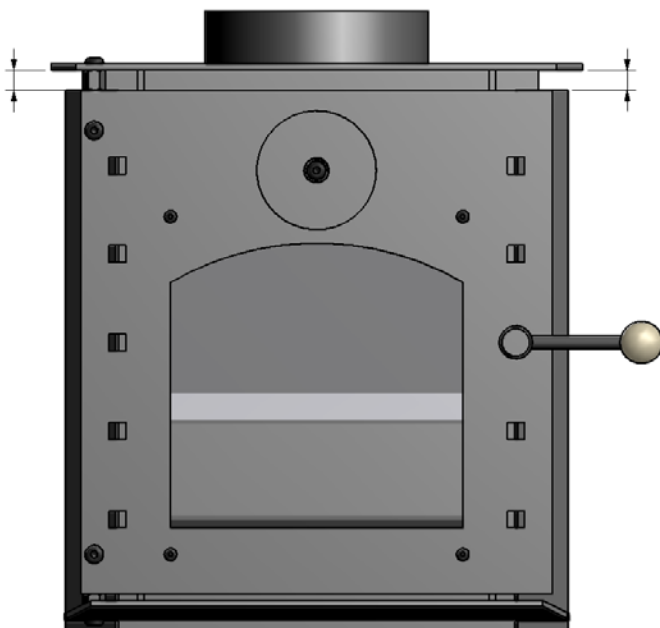
**No : 3**

Close the Door and nip the handle closed . Ensure that the handle is only just nipped.



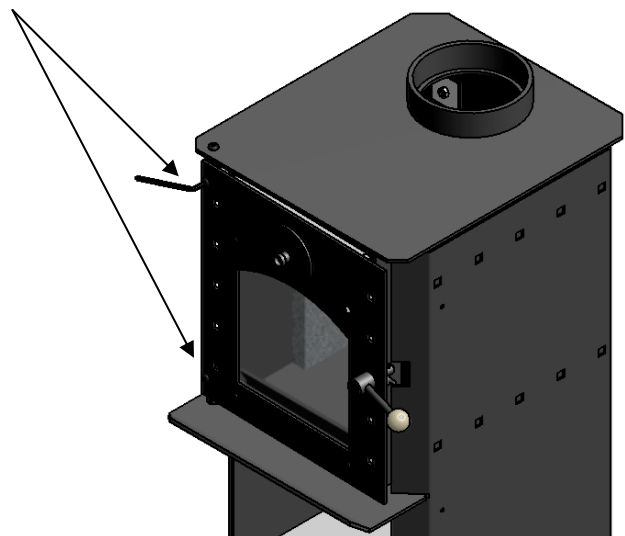
**No : 4**

Line up the Door across the top of the Fire and ensure that it is parallel



**No : 5**

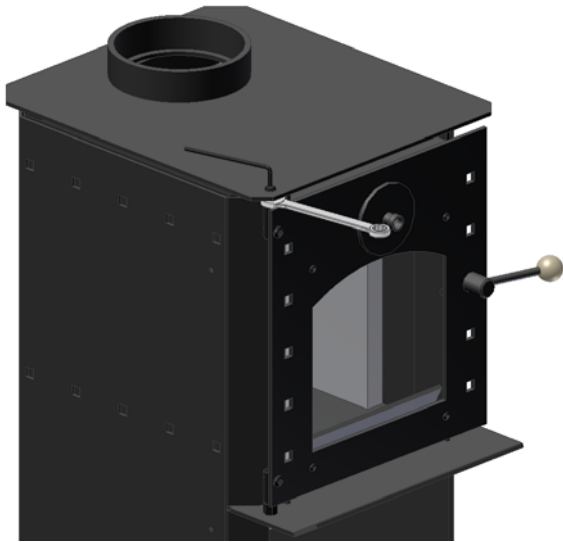
Tighten up the Cap Screws on the Top & Bottom of the Door Front first .



**NOTE:** Loctite may be required on the threads of the Cap Screws if the door repeatedly drops

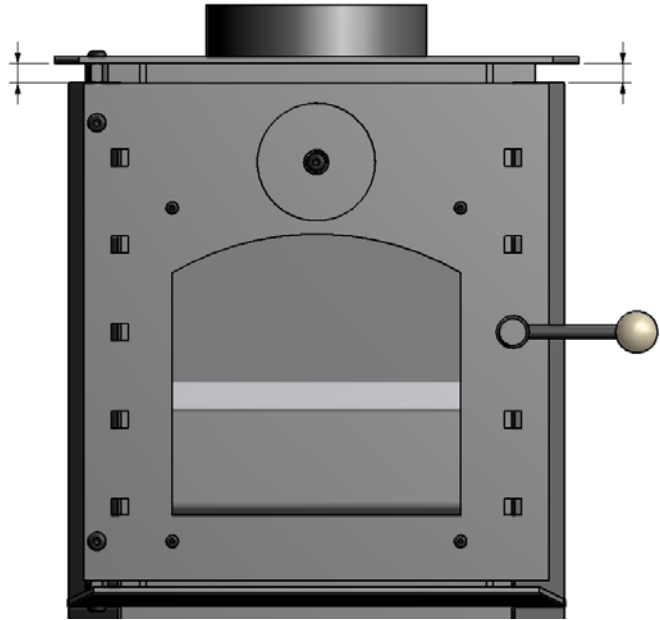
**No : 6**

Ensure that the Door is hard back on the Hinge side and tighten the top and bottom Nuts while holding the Button head cap screw with the 5mm Allen Key and Spanner .



**No : 7**

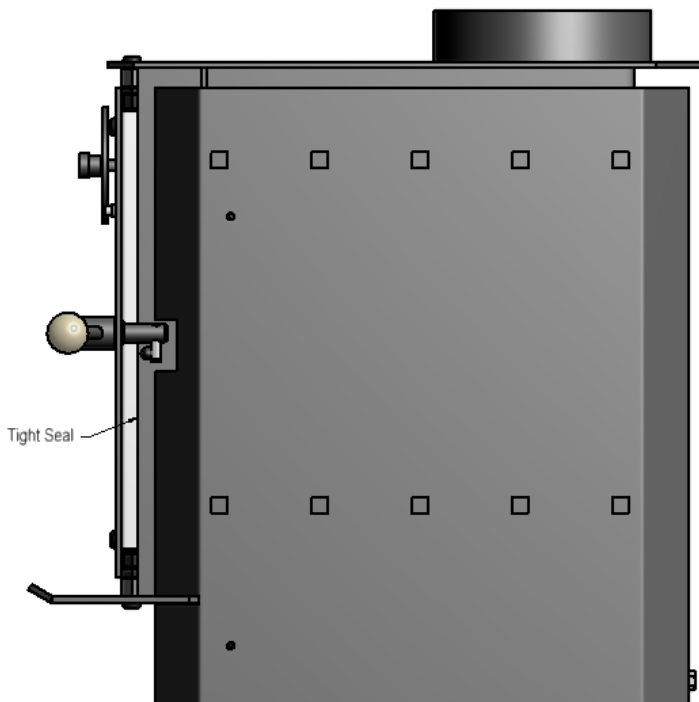
Ensure that the Door is parallel to the Top of the Fire.



Check both ends of the doors to make sure it is parallel to the unit.

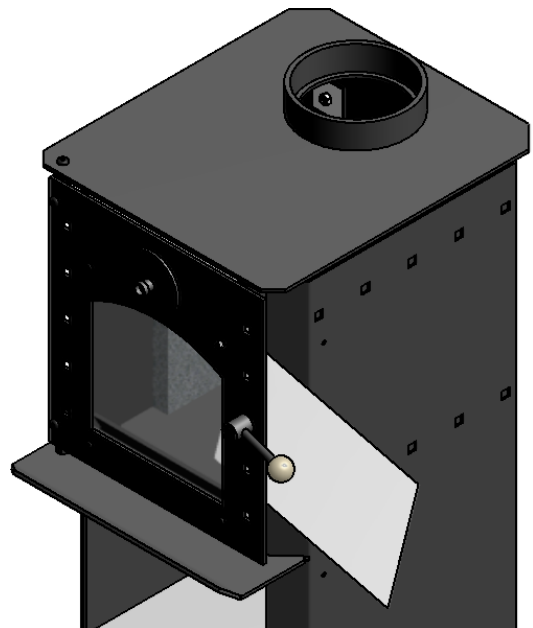
**No : 8**

Ensure that the Door Seal is mating with the Door Frame and making a seal by looking along the door and seal as they mate. If it is not mating correctly , repeat adjustment process .



**No : 9**

Check the Seal by opening the Door and placing a piece of Newspaper between the Door Frame and the Door Seal , close the Door and see if there is some resistance when removing the Newspaper . This will prove if the Door is Sealed . If seal is not made, repeat the adjustment process or a new Door Seal Rope may be required.



Nip up screws while holding door in place, then tighten fully with a 5mm Allen Key.