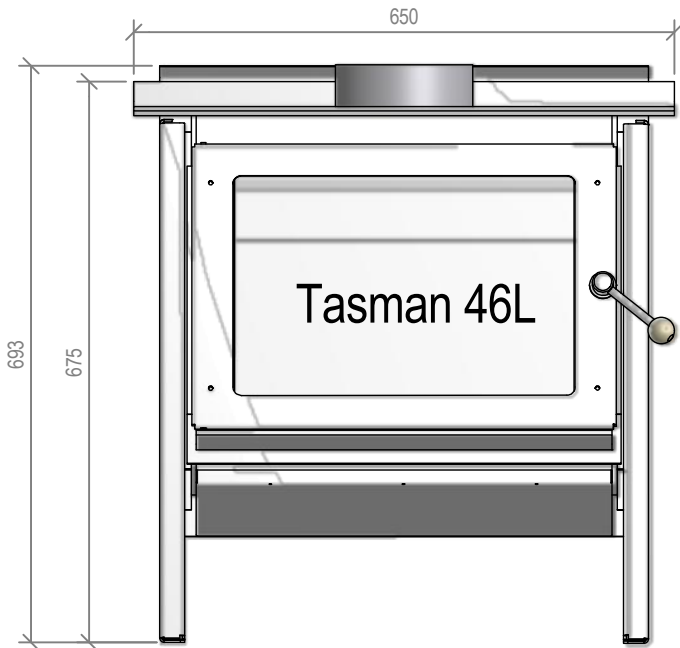
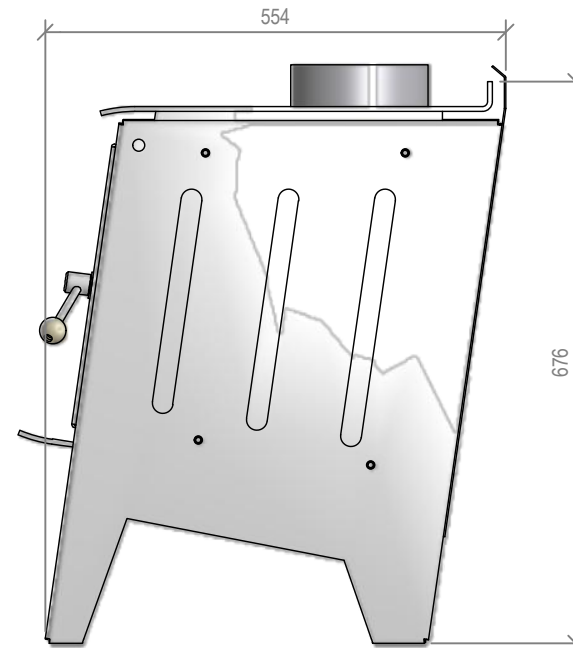


Plan Elevation



Front Elevation



Side Elevation

# Warmington Tasman Series Wood Fire

## Tasman 46L Free Standing Firebox

Fire & Flue System to comply with AS/NZS 2918:2001.

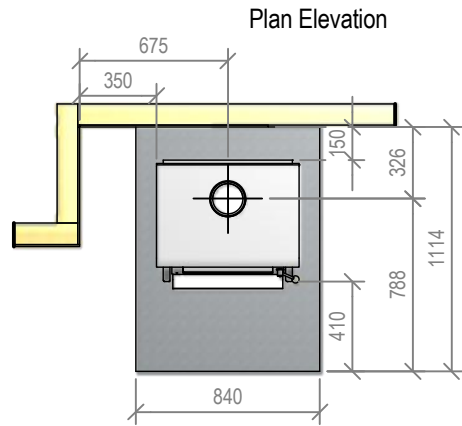
**Due to continued product improvement, Warmington Ind LTD reserves the right to change product specifications without prior notification.**

Read all the Instructions carefully before commencing the Installation. Failure to follow these instructions may result in a fire hazard and void the warranty

For Specification See: [www.warmington.co.nz](http://www.warmington.co.nz)

Copyright ©

<b>Warmington Industries Ltd.</b>			
PH: 09 273 9227 FAX: 09 273 9241 WEB: <a href="http://www.warmington.co.nz">www.warmington.co.nz</a>			
TITLE	TASMAN 46L FREE STANDING FIREBOX		
DRAWN	ALAN	DATE	21/06/11
SCALE	NOT TO SCALE	REVISION	01



# Warmington Tasman Series Wood Fire

## Tasman 46L Free Standing Firebox - Straight Hearth Situation

Fire & Flue System to comply with AS/NZS 2918:2001.

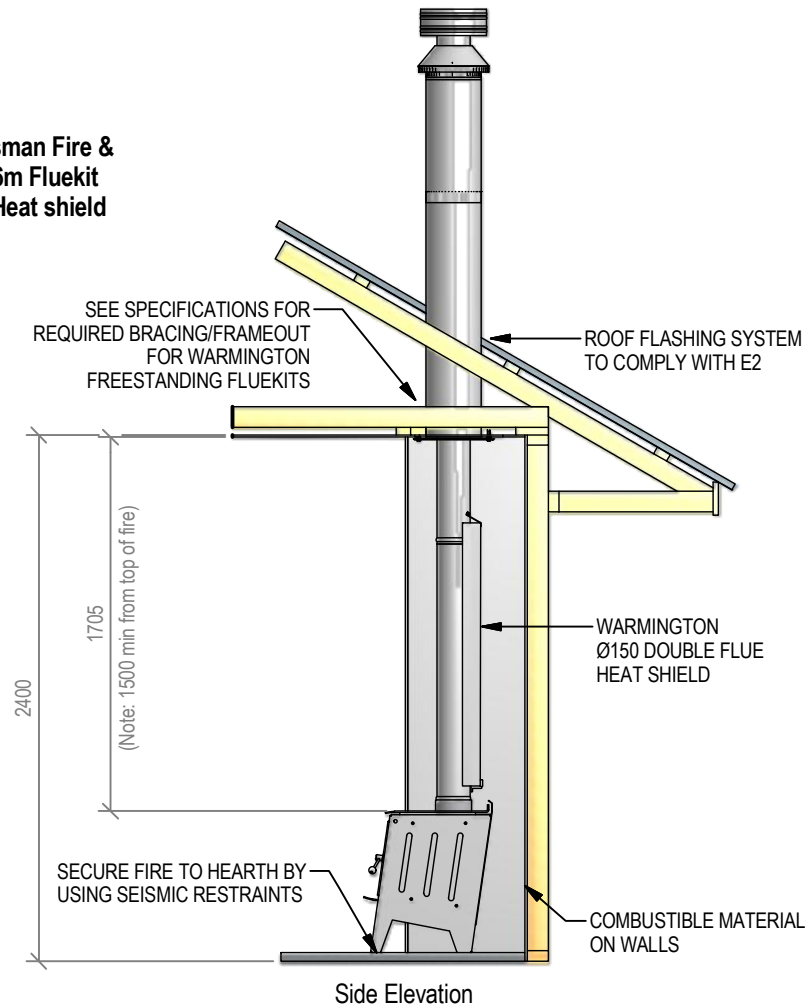
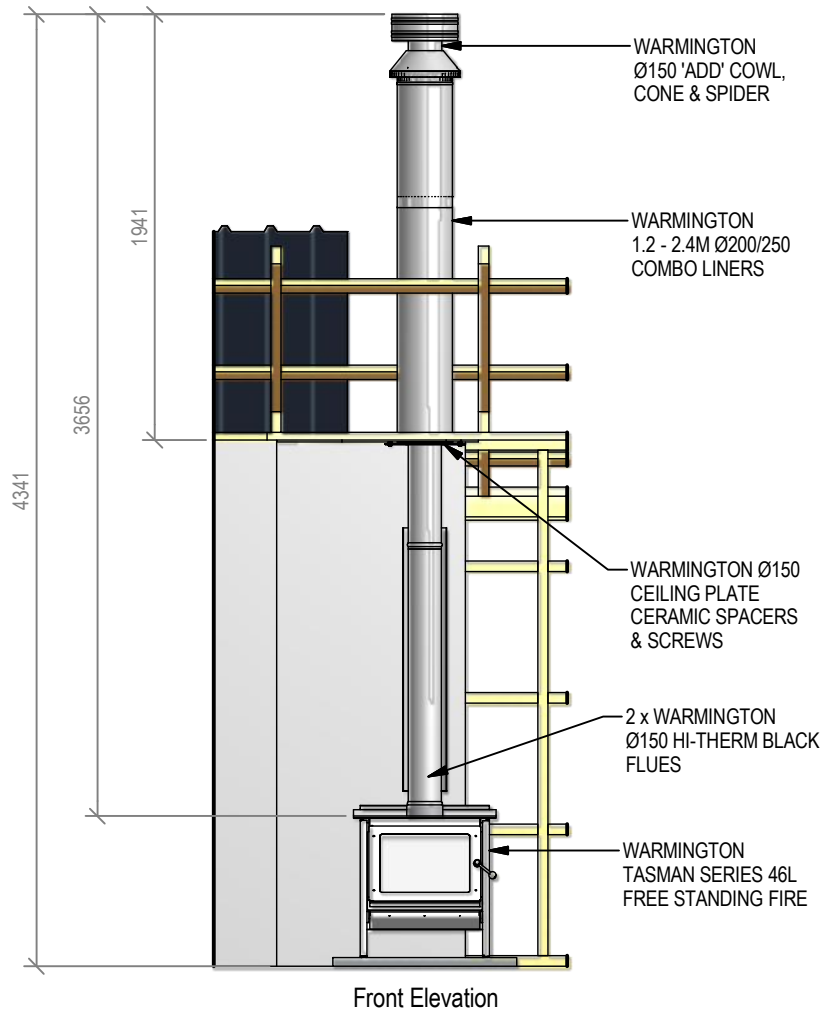
**Due to continued product improvement, Warmington Ind LTD reserves the right to change product specifications without prior notification.**

Read all the Instructions carefully before commencing the Installation. Failure to follow these instructions may result in a fire hazard and void the warranty

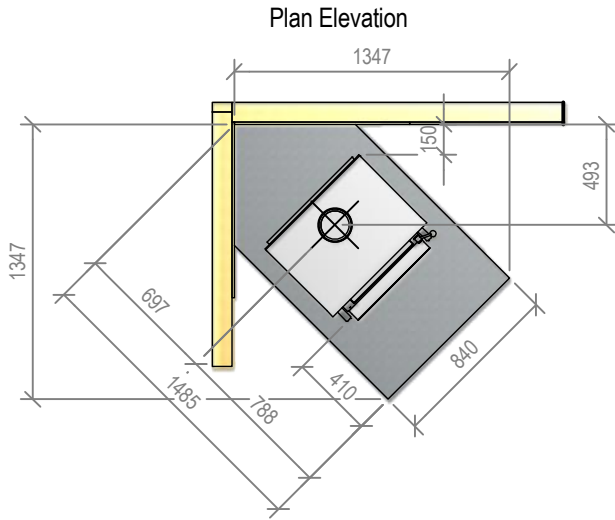
For Specification See: [www.warmington.co.nz](http://www.warmington.co.nz)

Copyright ©

### Warmington Tasman Fire & Warmington 3.6m Fluekit & Double Flue Heat shield



<b>Warmington Industries Ltd.</b>			
PH: 09 273 9227 FAX: 09 273 9241 WEB: <a href="http://www.warmington.co.nz">www.warmington.co.nz</a>			
TITLE	TASMAN 46L FREE STANDING FIREBOX - SITUATION 1; STRAIGHT HEARTH	DATE	21/06/11
DRAWN	ALAN	REVISION	01
SCALE	NOT TO SCALE		



# Warmington Tasman Series Wood Fire

## Tasman 46L Free Standing Firebox - Corner Hearth Situation

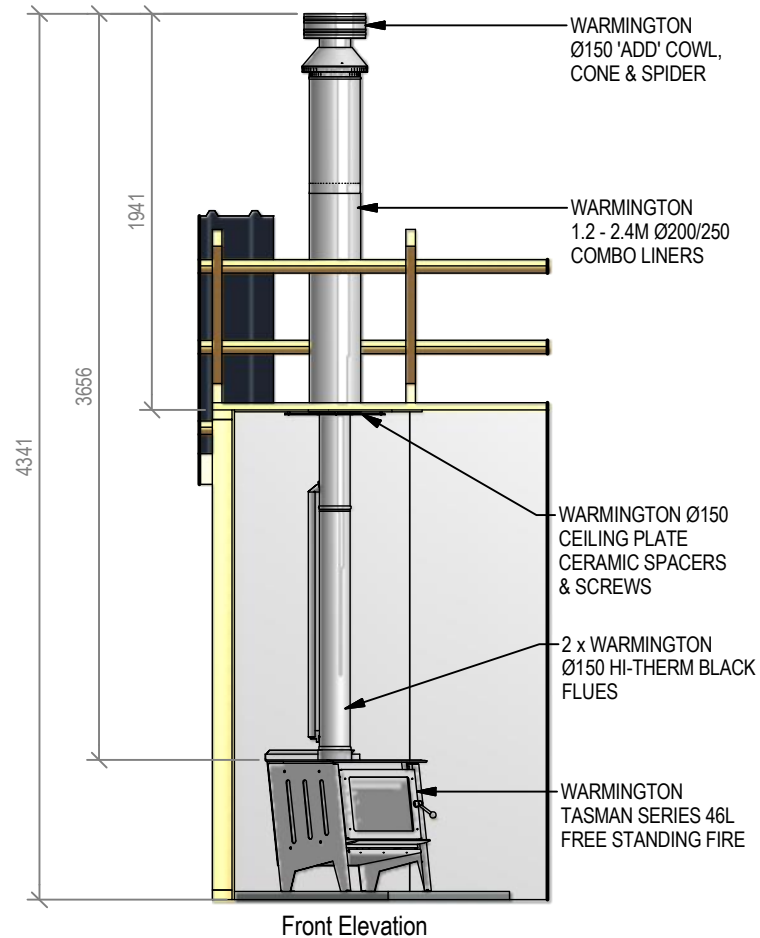
Fire & Flue System to comply with AS/NZS 2918:2001.

**Due to continued product improvement, Warmington Ind LTD reserves the right to change product specifications without prior notification.**

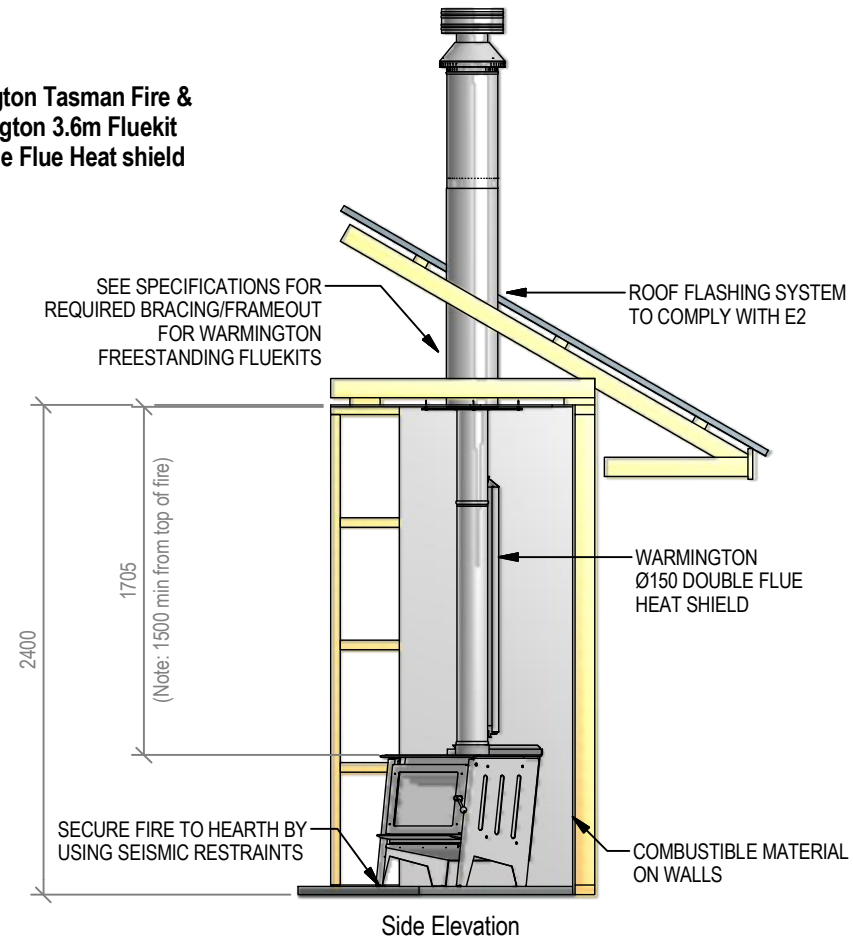
Read all the Instructions carefully before commencing the Installation. Failure to follow these instructions may result in a fire hazard and void the warranty

For Specification See: [www.warmington.co.nz](http://www.warmington.co.nz)

Copyright ©



### Warmington Tasman Fire & Warmington 3.6m Fluekit & Double Flue Heat shield



<b>Warmington Industries Ltd.</b>			
PH: 09 273 9227 FAX: 09 273 9241 WEB: <a href="http://www.warmington.co.nz">www.warmington.co.nz</a>			
TITLE	TASMAN 46L FREE STANDING FIREBOX - SITUATION 2: CORNER HEARTH	DATE	21/06/11
DRAWN	ALAN	REVISION	01
SCALE	NOT TO SCALE		