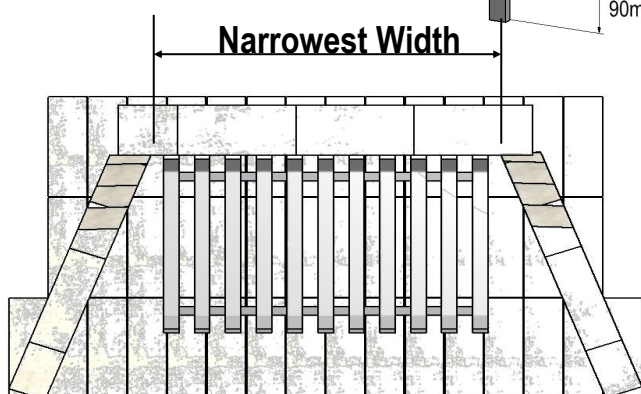
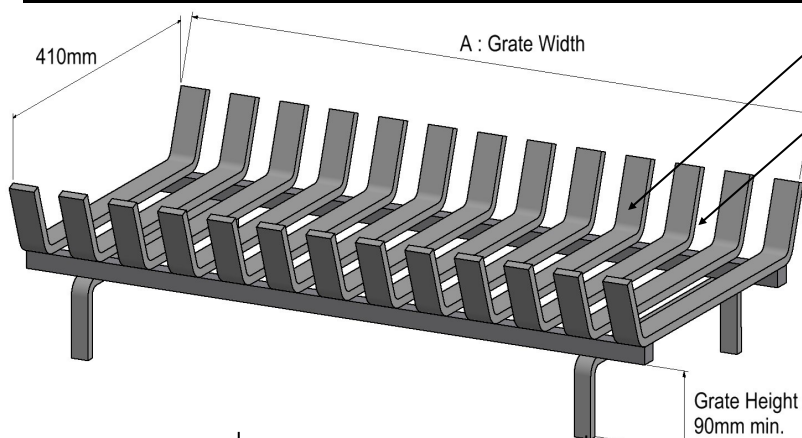


BRICK FIRE GRATE FITMENT



PLAN VIEW

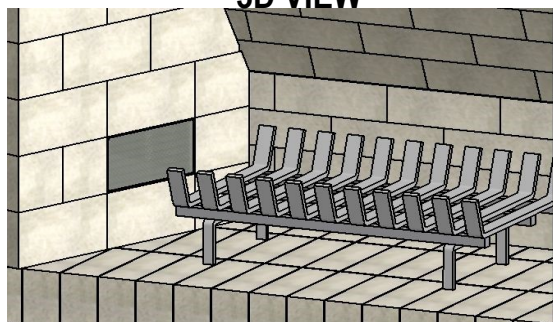
* 30 mm finger
* 30 mm gap

Measuring for the Grate

First measure the **Narrowest Width** of the Brick Fire as shown in diagram .

Each Finger of the Grate is **30mm** & each Gap in between is **30mm** , the width of the Grate needs to be within the narrowest Brick out measurement on the Base as indicated in the Plan View below , with a Bar needing to be at each end of the Grate to complete the makeup of the Grate .

3D VIEW



Measurements for Wood Grate Sizes

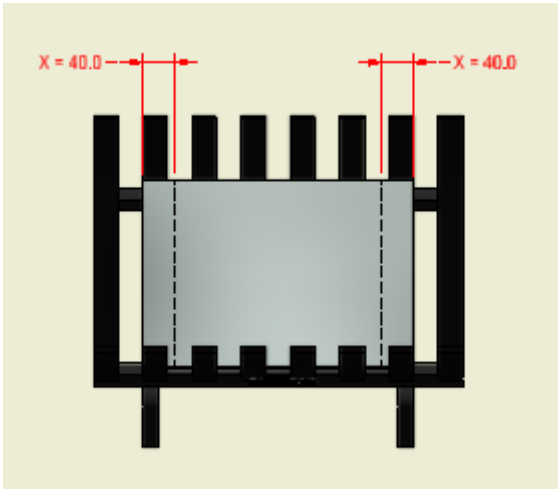
	A Grate Width	Amount of 30mm fingers	Amount of 30mm gaps	Grate plate bar X
	330 mm (min)	6	5	40mm
	390 mm	7	6	10mm
* TF 800 Grate	450 mm	8	7	40mm
	510 mm	9	8	10mm
	570 mm	10	9	40mm
	630 mm	11	10	10mm
* TF 1000 Grate	690 mm	12	11	40mm
	750 mm	13	12	10mm
* TF 1200 Grate	810 mm	14	13	40mm
	870 mm	15	14	10mm
	930 mm	16	15	40mm
	990 mm	17	16	10mm
	1050 mm	18	17	40mm
* TF 1500 Grate	1110 mm	19	18	10mm
	1170 mm	20	19	40mm
	1230 mm	21	20	10mm
	1290 mm	22	21	40mm
* TF 1800 Grate	1350 mm	23	22	10mm
	1410 mm	24	23	40mm
	1470 mm	25	24	10mm
* TF 2000 Grate	1530 mm (max)	26	25	40mm

Due to continued product improvement, Warmington Ind LTD reserves the right to change product specifications without prior notification.

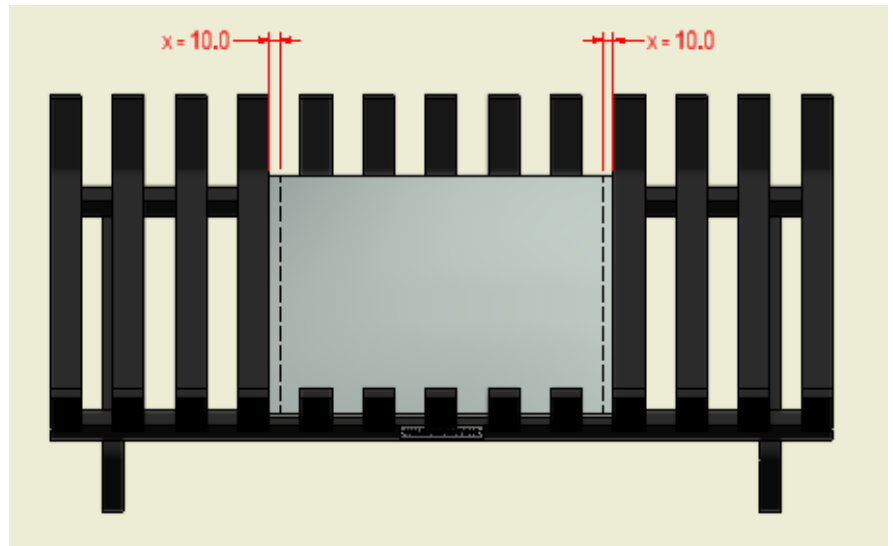
GRATE PLATE FITMENT

Fitment and Weld for the Grate Plate Bars

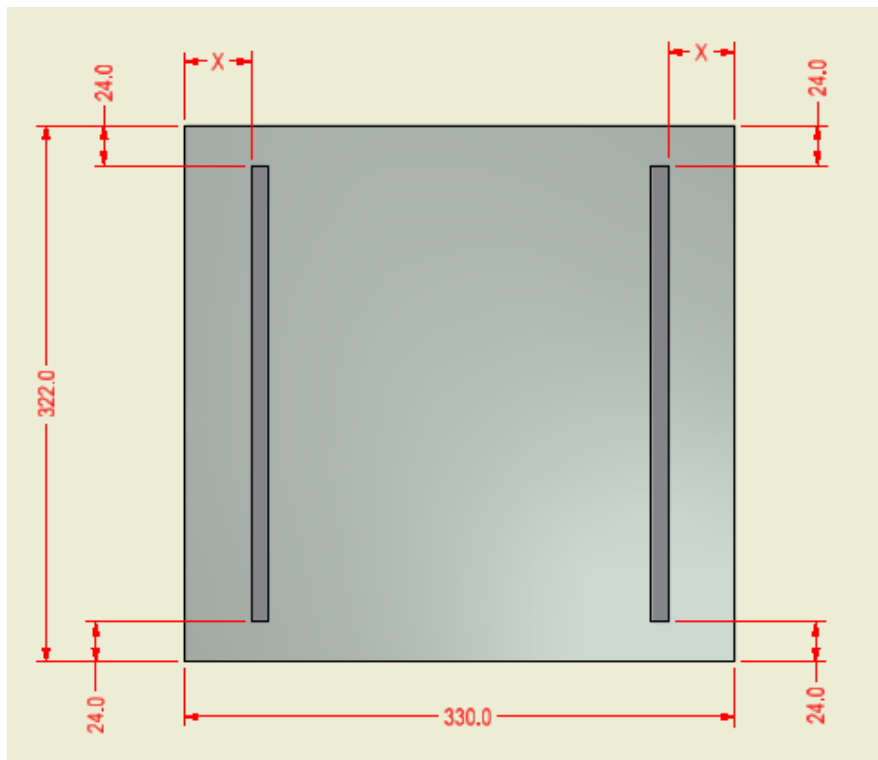
Place the Grate Plate in the center of the grate. Fit and Weld the Grate Plate bars at the centre of the gap between the outer most Grate Basket Fingers using the X dimension.



Even amount of fingers



Odd amount of fingers



Due to continued product improvement, Warmington Ind LTD reserves the right to change product specifications without prior notification.

All Dimension are in mm.....Copyright