

Warmington Gas Open Fire

Trieste 1200 (2 Long 1 Short) Firebox

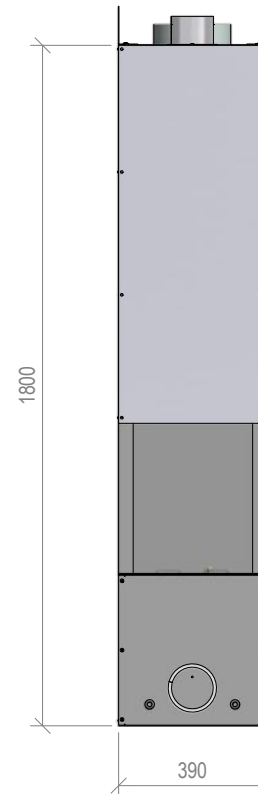
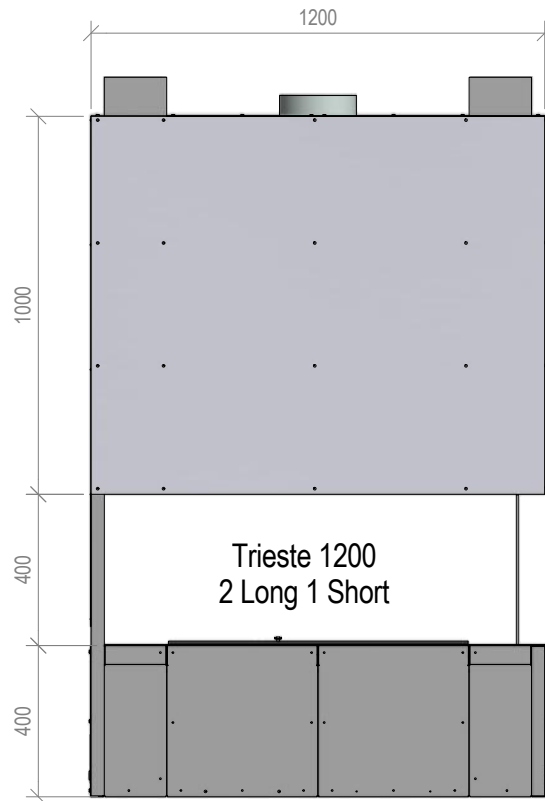
Fire, flue system to comply with NZS 5261 / 5262 : 2003

Due to continued product development, Warmington Ind LTD reserves the right to change product specifications without prior notification.

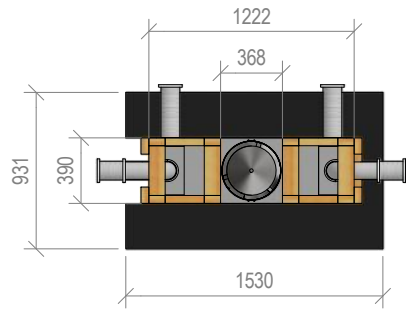
Read all the instructions carefully before commencing the installation. Failure to follow these instructions may result in a fire hazard and void the warranty.

For specification see: www.warmington.co.nz

Copyright ©



Warmington Industries Ltd.	
PH: 09 273 9227 FAX: 09 273 9241 WEB: www.warmington.co.nz	
TITLE Trieste 1200 (2 Long 1 Short) Firebox	DATE 10-12-18
DRAWN Ben	REVISION 01
SCALE Not to scale	



Warmington Gas Open Fire

Trieste 1200 (2 Long 1 Short) Firebox

Fire, flue system to comply with NZS 5261 / 5262 : 2003

Due to continued product development, Warmington Ind LTD reserves the right to change product specifications without prior notification.

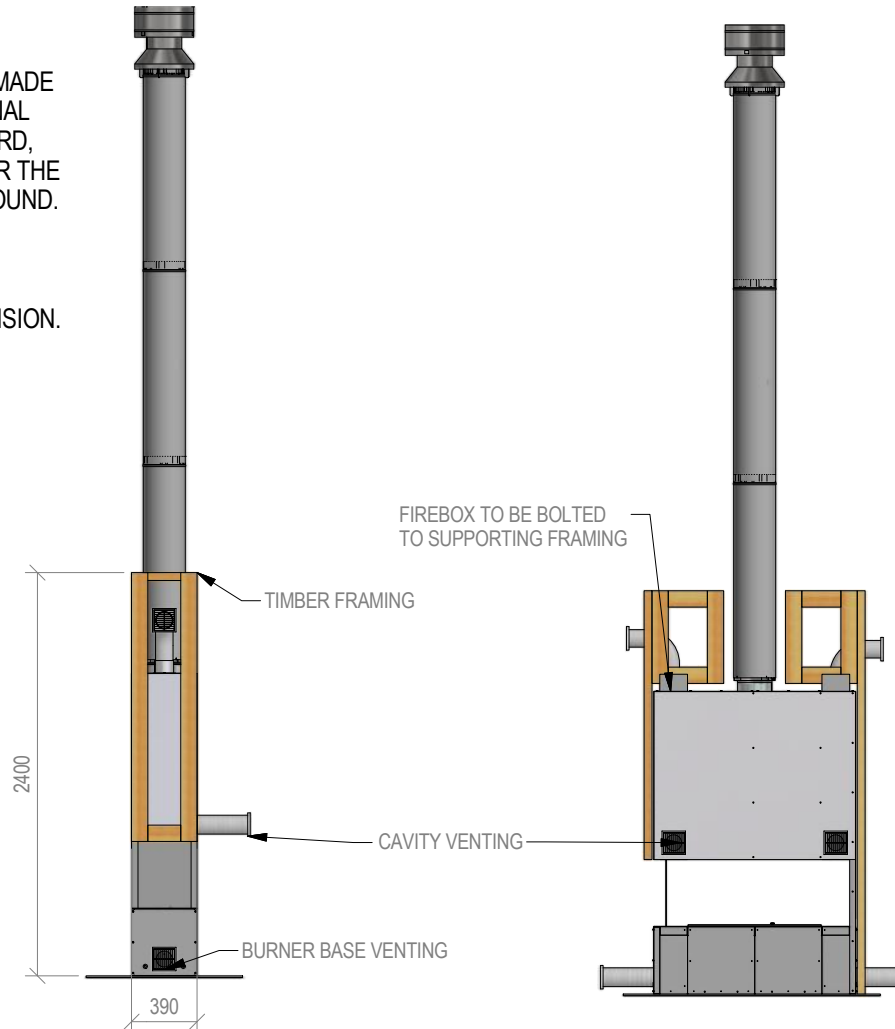
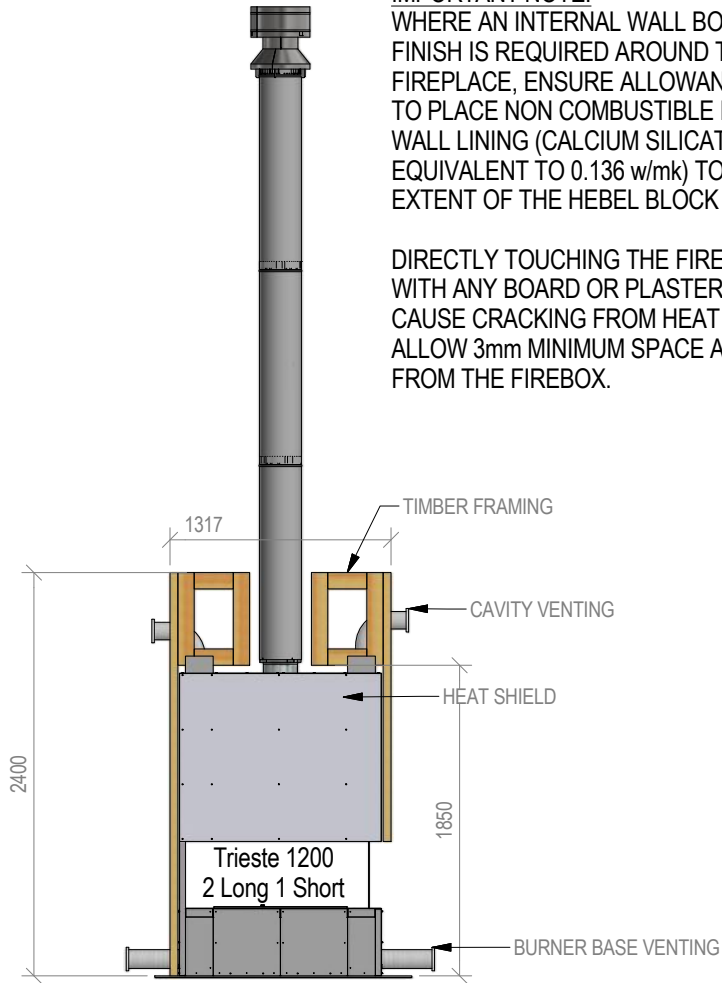
Read all the instructions carefully before commencing the installation. Failure to follow these instructions may result in a fire hazard and void the warranty.

For specification see: www.warmington.co.nz

Copyright ©

IMPORTANT NOTE:
WHERE AN INTERNAL WALL BOARD FINISH IS REQUIRED AROUND THE FIREPLACE, ENSURE ALLOWANCE IS MADE TO PLACE NON COMBUSTIBLE INTERNAL WALL LINING (CALCIUM SILICATE BOARD, EQUIVALENT TO 0.136 w/mk) TO COVER THE EXTENT OF THE HEBEL BLOCK SURROUND.

DIRECTLY TOUCHING THE FIREBOX WITH ANY BOARD OR PLASTER MAY CAUSE CRACKING FROM HEAT EXPANSION. ALLOW 3mm MINIMUM SPACE AWAY FROM THE FIREBOX.



Warmington Industries Ltd.	
PH: 09 273 9227 FAX: 09 273 9241 WEB: www.warmington.co.nz	
TITLE Trieste 1200 (2 Long 1 Short) Timber Framing	DATE 10-12-18
DRAWN Ben	REVISION 01
SCALE Not to scale	