

Warmington Gas Open Fire

Uno 1600 Firebox

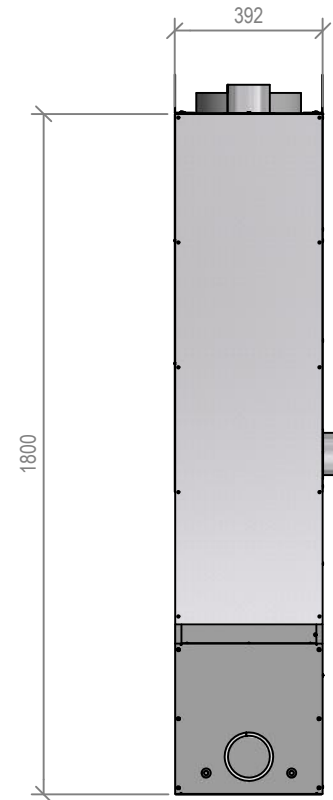
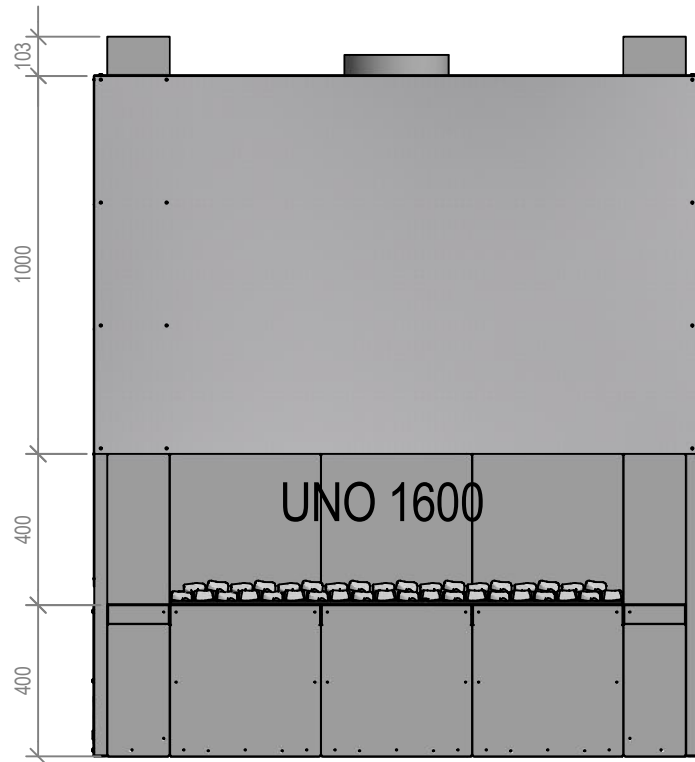
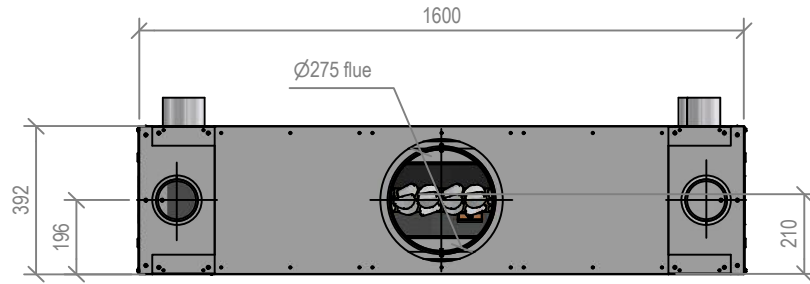
Fire, Flue System to Comply with NZS 5261 / 5262 : 2003

Due to continued product improvement, Warmington Ind LTD reserves the right to change product specifications without prior notification.

Read all the Instructions carefully before commencing the Installation. Failure to follow these instructions may result in a fire hazard and void the warranty

For Specification See: www.warmington.co.nz

Copyright ©



Warmington Industries Ltd.		PH: 09 273 9227 FAX: 09 273 9241 WEB: www.warmington.co.nz	
TITLE	UNO 1600 FIREBOX		
DRAWN	EMLYN	DATE	30/11/18
SCALE	NOT TO SCALE	REVISION	01

IMPORTANT NOTE:
 WHERE AN INTERNAL WALL BOARD FINISH IS REQUIRED AROUND THE FIREPLACE,
 ENSURE ALLOWANCE IS MADE TO PLACE NON COMBUSTIBLE INTERNAL WALL
 LINING (CALCIUM SILICATE BOARD) TO COVER THE EXTENT OF THE FIREBOX

**DIRECTLY TOUCHING THE FIREBOX WITH ANY BOARD OR PLASTER MAY CAUSE
 CRACKING FROM HEAT EXPANSION
 ALLOW 3mm MINIMUM SPACE AWAY FROM THE FIREBOX**

Warmington Gas Open Fire

Uno 1600 Timber Framing

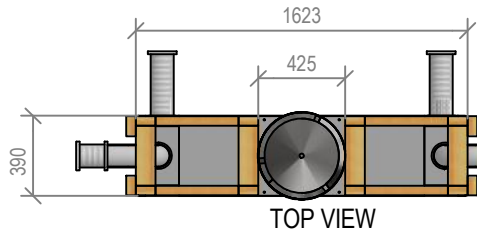
Fire, Flue System to Comply with NZS 5261 / 5262 : 2003

**Due to continued product improvement, Warmington Ind LTD reserves the right
 to change product specifications without prior notification.**

Read all the Instructions carefully before commencing the Installation. Failure to follow these instructions
 may result in a fire hazard and void the warranty

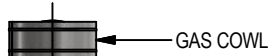
For Specification See: www.warmington.co.nz

Copyright ©

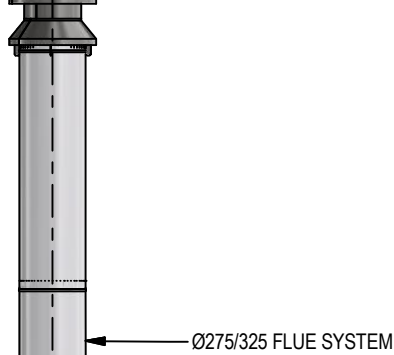


TOP VIEW

BURNER BASE VENTING



GAS COWL



Ø275/325 FLUE SYSTEM



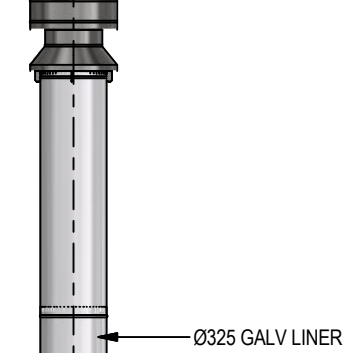
FRONT VIEW

TIMBER FRAMING

CAVITY VENTING

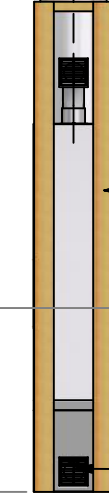
HEAT SHIELD

BURNER BASE VENTING



Ø325 GALV LINER

Ø275 STAINLESS STEEL FLUE



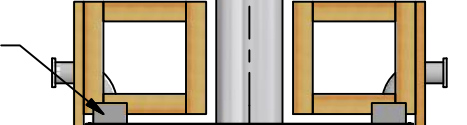
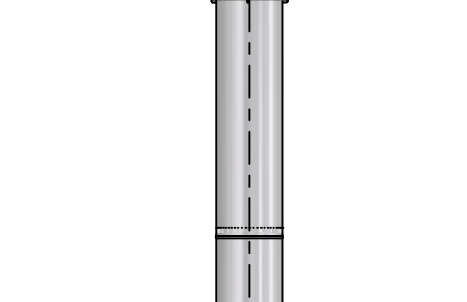
SIDE VIEW

FIREBOX TO TO BOLTED
 TO SUPPORTING FRAMING

TIMBER FRAMING

CAVITY VENTING

BURNER BASE VENTING



BACK VIEW

119

119

Warmington Industries Ltd.			
PH: 09 273 9227 FAX: 09 273 9241 WEB: www.warmington.co.nz			
TITLE	UNO 1600 TIMBER FRAMING	DATE	30/11/18
DRAWN	EMLYN	SCALE	NOT TO SCALE
		REVISION	01