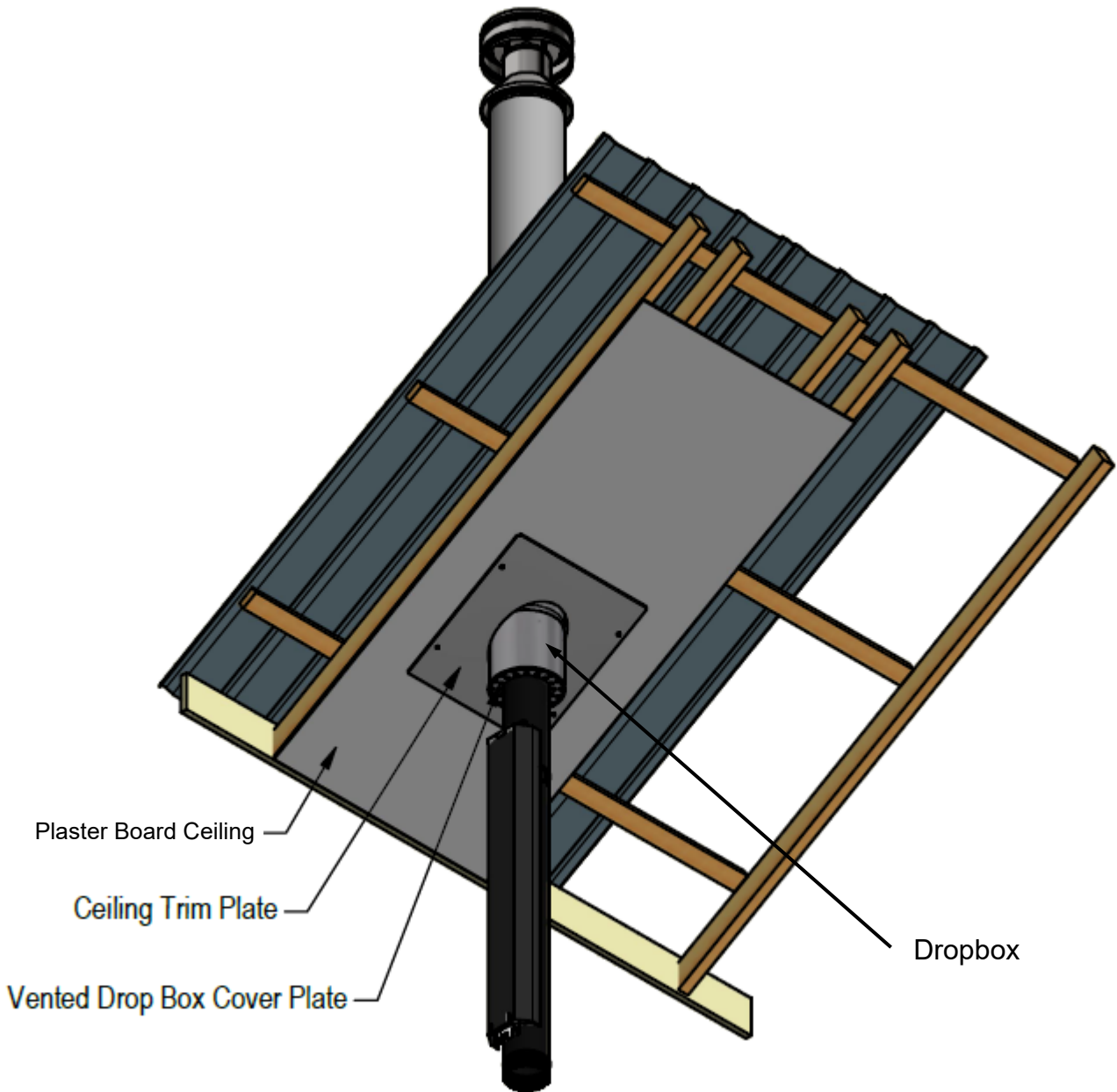


Warmington Dropbox Installation Specifications

For sloped ceiling penetrations



Installation to be done to ASNZS 2918:2001

Visit www.warmington.co.nz for Spec's, DWG's and PDF uploads of fires

Flue system and instructions to comply with ASNZS 2918:2001

Keep these Instructions for further reference.....Ensure that you have the correct and current installation details for the Warmington Fire

Installation

The Warmington unit is to be installed by a certified Warmington installer or an Approved NZHHA Installation Technician.

IMPORTANT

Read all the instructions carefully before commencing the Installation. Failure to follow these instructions may result in a fire hazard and void the warranty

Dropbox Installation Details

Minimum Flue Height	
Flue Height	3600
Measured From Top of Fire	C + 3600

Flue kit details	No:	Flue Diameter Size Range
Cowl	1	150-300
Cone	1	150-300
Top Spider	1	150-300
Liner Slip	1	250-400
Flue S/S	1	150-300
Flue Hi-Therm Black	2	150-300
Combo 250/200	1	250-400
Combo Extension 250/200 by X mm	1	250-400
Ceiling Perforated Dropbox Plate	1	250-400
Sloped Ceiling Plate	1	various
Ceramics	4	

Dropbox Installation Explanation

Only ventilated double cased flue systems shall be used for untested sloping ceiling penetrations where the ceiling slope is greater than 30° from the horizontal.

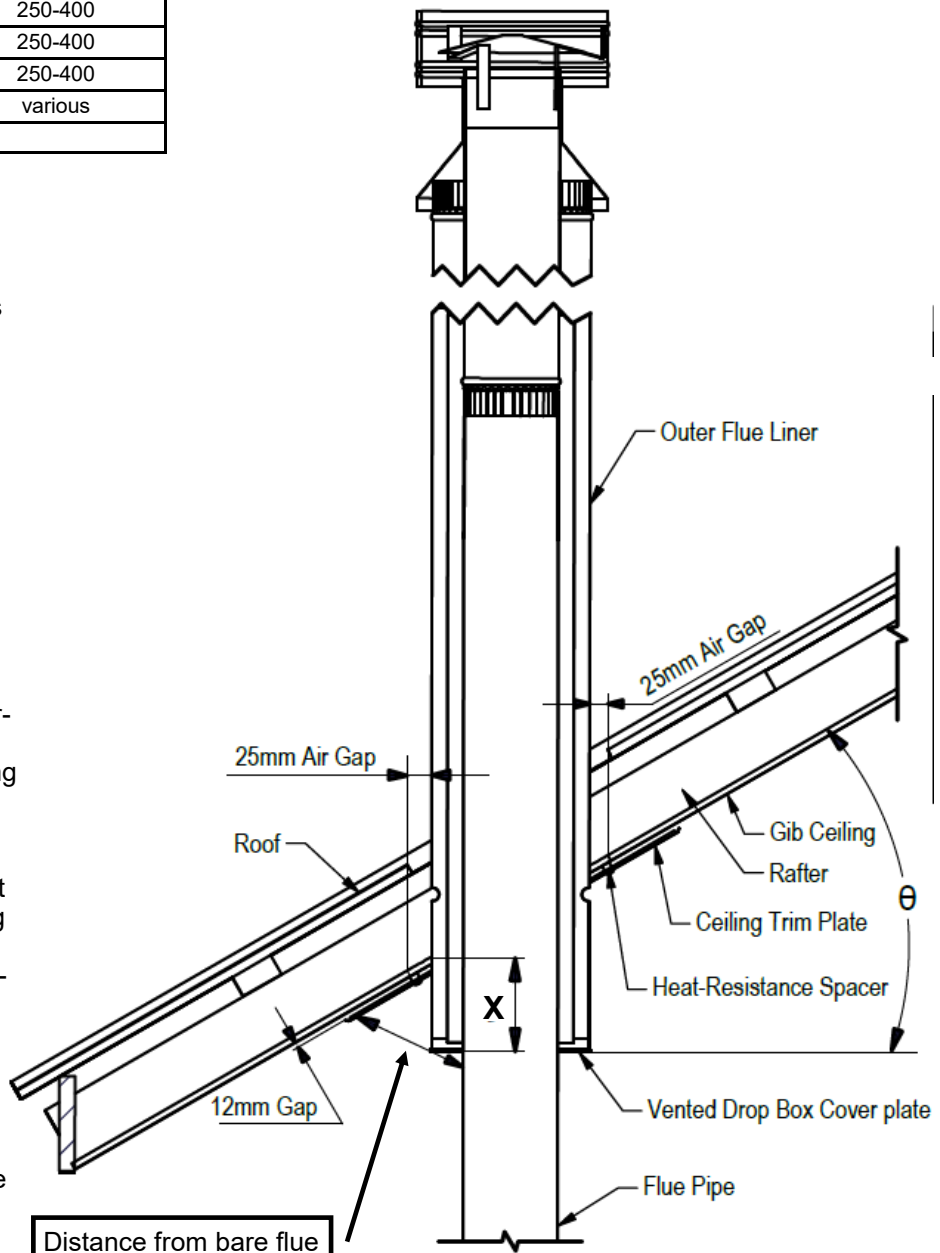
The casings shall extend upwards through the ceiling and roofing material and be terminated in accordance with AS/NZS 2918:2001 (section 4.6.3 (b)) and downward not less than 150 mm below the lowest surface of a heat-sensitive surface through which the flue penetrates, and the outer flue-pipe casing shall be separated from any heat-sensitive material by an air gap of not less than 25 mm.

In addition, a shielding ceiling trim plate shall surround the outer liner for a distance of not less than 150 mm in all directions or further depending on ceiling slope (θ) and flue diameter.

All unshielded heat-sensitive material shall be separated from the active flue by a distance of at least three times the flue diameter. The shielding ceiling plate shall be mounted below the ceiling so that it is separated from heat-sensitive material by an air gap of not less than 12 mm.

Dropbox Shielding Distance X

To get the required shielding distance (X), see table on next page by inputting your ceiling slope (θ) and flue diameter.



Distance from bare flue to combustible unshielded ceiling must be 3x the diameter of the flue. This is calculated in the table on the next page.

Dropbox Liner Extension Table

Dropbox (mm) X distance to combustible							
Ceiling Angle (degrees) θ	Flue Size (mm)						
	100	150	200	225	250	275	300
<30	150	150	150	150	150	150	150
30	231	376	492	546	605	658	717
31	237	378	495	550	610	662	722
32	242	381	499	554	614	667	727
33	248	384	503	558	618	672	733
34	254	387	507	562	623	677	738
35	260	390	511	567	628	683	744
36	263	393	515	571	633	688	751
37	266	397	519	576	639	694	757
38	268	400	524	581	645	700	764
39	271	404	529	586	650	707	771
40	274	408	534	592	657	713	778
41	277	412	539	598	663	720	786
42	280	416	544	604	670	728	794
43	283	421	550	610	677	735	802
44	287	425	556	616	684	743	811
45	290	430	562	623	691	751	820
46	294	435	568	630	699	760	829
47	298	440	575	637	707	768	839
48	302	445	582	645	716	778	849
49	306	451	589	653	725	787	859
50	310	457	597	661	734	797	870
51	314	463	604	670	744	808	882
52	319	469	612	679	754	819	894
53	323	475	621	688	764	830	906
54	328	482	630	698	775	842	920
55	333	489	639	708	787	854	933
56	339	497	649	719	799	867	947
57	344	504	659	730	811	881	962
58	350	512	669	742	824	895	978
59	356	521	680	754	838	910	994
60	362	530	692	767	852	925	1011

NOTE less than 30 degrees is considered flat ceiling more than 60 degrees is considered a wall, hence wall penetration clearances are to be used.