

Warmington Evoque Open Wood Fire

Warmington Evoque 1300 Open Wood Fire

NOTE: Requires Hebel Enclosure

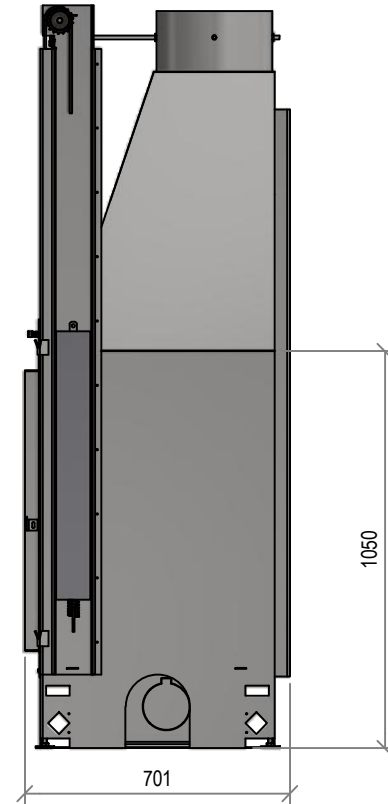
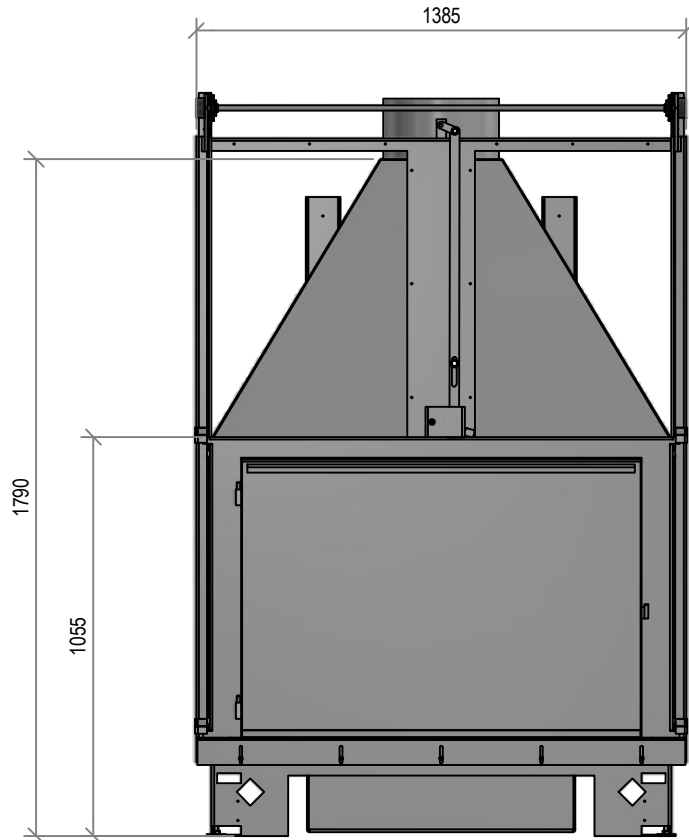
Fire, Flue System to Comply with ASNZS 2918:2001

Due to continued product improvement, Warmington Ind LTD reserves the right to change product specifications without prior notification.

Read all the Instructions carefully before commencing the Installation. Failure to follow these instructions may result in a fire hazard and void the warranty

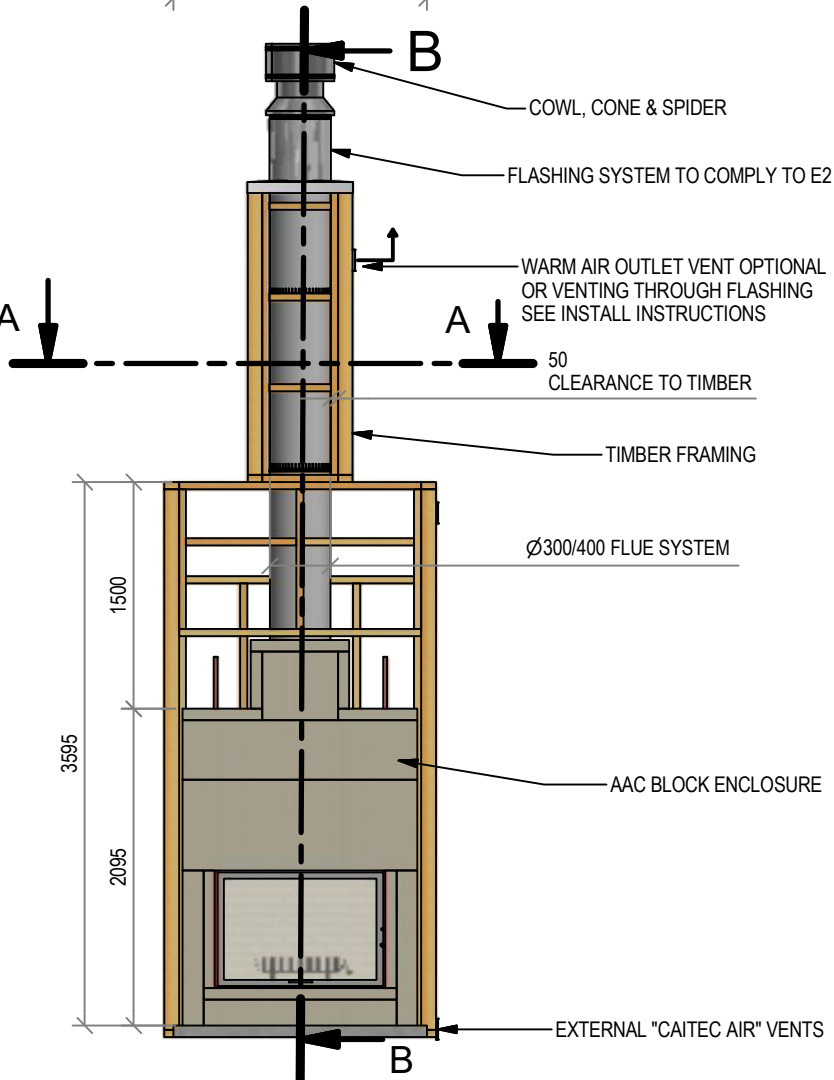
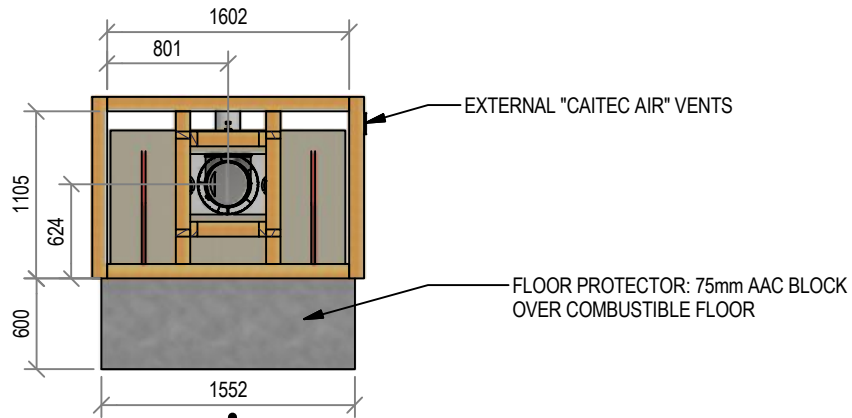
For Specification See: www.warmington.co.nz

Copyright ©



Warmington Industries Ltd.	
PH: 09 273 9227 FAX: 09 273 9241 WEB: www.warmington.co.nz	
TITLE	Warmington Evoque 1300 Open Wood Fire
DRAWN	Sajan Kamboj
SCALE	
DATE	27/09/19
REVISION	

A-A



Warmington Evoque Open Wood Fire

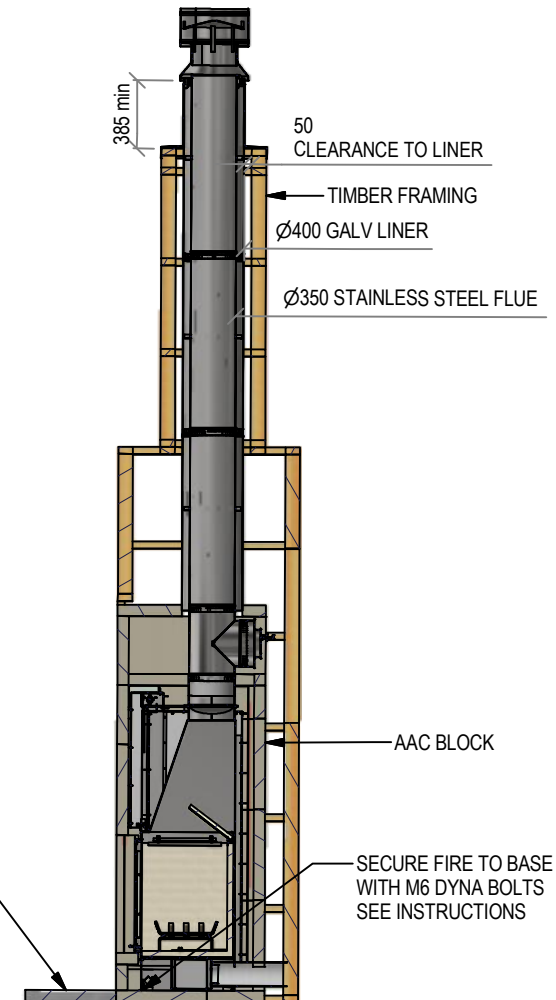
Warmington Evoque 1300 Open Wood Fire

NOTE: Requires AAC Enclosure
Fire, Flue System to Comply with AS/NZS 2918:2001
Due to continued product improvement, Warmington Ind LTD reserves the right to change product specifications without prior notification.
Read all the Instructions carefully before commencing the Installation. Failure to follow these instructions may result in a fire hazard and void the warranty
For Specification See: www.warmington.co.nz
Copyright ©

IMPORTANT NOTE:
WHERE AN INTERNAL WALL BOARD FINISH IS REQUIRED AROUND THE FIREPLACE, ENSURE ALLOWANCE IS MADE TO PLACE NON COMBUSTIBLE INTERNAL WALL LINING (e.g. PROMINA ETERPAN, SUPALUX) TO COVER THE EXTENT OF THE AAC BLOCK SURROUND

DIRECTLY TOUCHING THE FIREBOX WITH ANY BOARD OR PLASTER MAY CAUSE CRACKING FROM HEAT EXPANSION
ALLOW 3mm MINIMUM SPACE AWAY FROM THE FIREBOX

B-B



ALLOW FINISHING ON FLOOR PROTECTOR

NOTE:
WARMINGTON CAITEC AIR IS REQUIRED
SEE SPECIFIC INSTALL INSTRUCTION

Warmington Industries Ltd.				
PH: 09 271 0891 FAX: 09 273 9241 WEB: www.warmington.co.nz				
TITLE	WARMINGTON EVOQUE 1300 OPEN WOOD FIRE		DATE	27/09/19
DRAWN	SAJAN KAMBOJ		REVISION	
SCALE				

Warmington Evoque Open Wood Fire

Warmington Evoque 1300 Open Wood Fire Block Enclosure

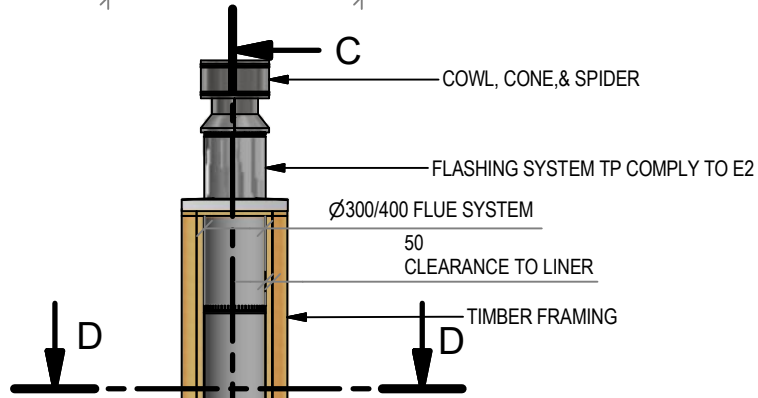
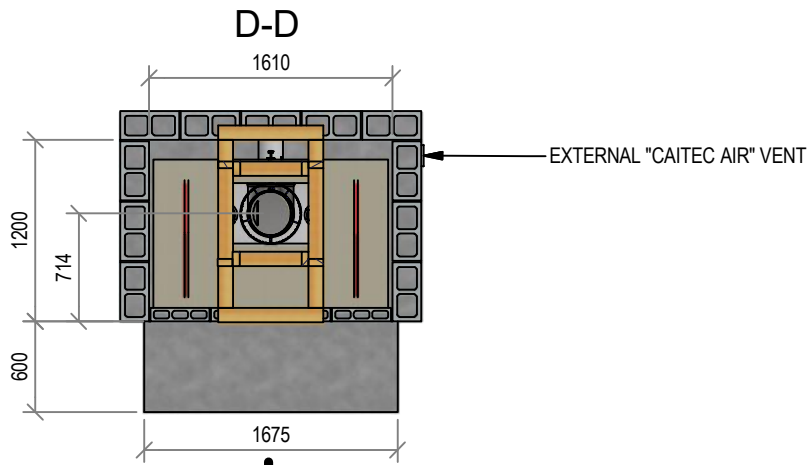
Fire, Flue System to Comply with AS/NZS 2918:2001

Due to continued product improvement, Warmington Ind LTD reserves the right to change product specifications without prior notification.

Read all the Instructions carefully before commencing the Installation. Failure to follow these instructions may result in a fire hazard and void the warranty

For Specification See: www.warmington.co.nz

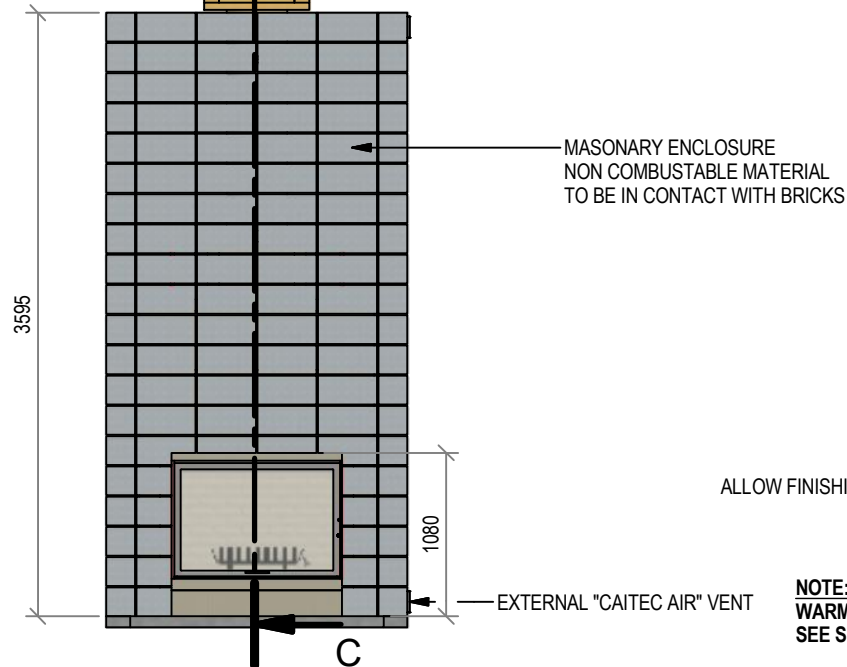
Copyright ©



IMPORTANT NOTE:

WHERE AN INTERNAL WALL BOARD FINISH IS REQUIRED AROUND THE FIREPLACE, ENSURE ALLOWANCE IS MADE TO PLACE NON COMBUSTIBLE INTERNAL WALL LINING (e.g. PROMINA ETERPAN, SUPALUX) TO COVER THE EXTENT OF THE AAC BLOCK SURROUND

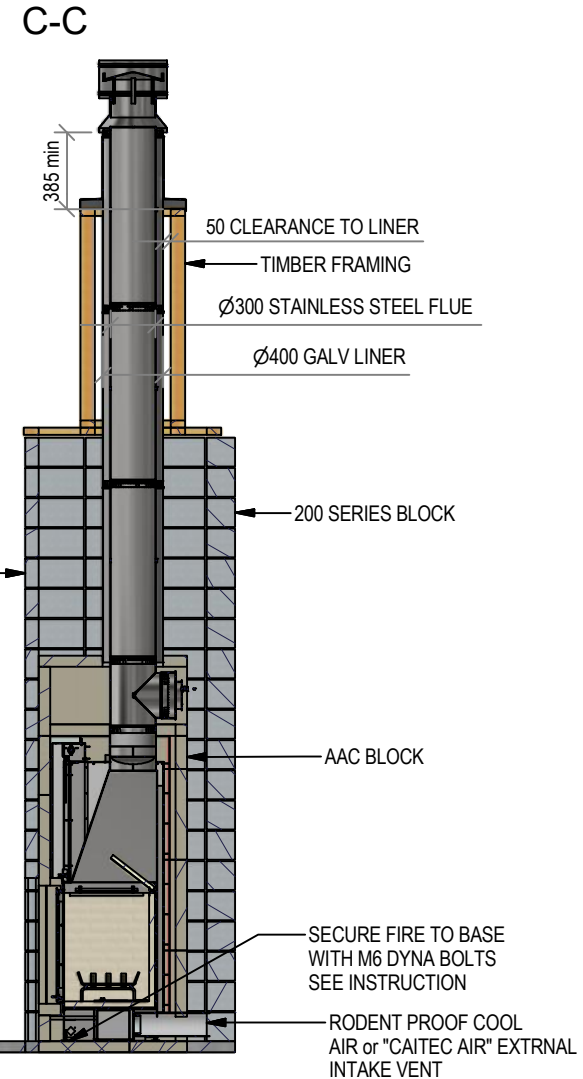
DIRECTLY TOUCHING THE FIREBOX WITH ANY BOARD OR PLASTER MAY CAUSE CRACKING FROM HEAT EXPANSION
ALLOW 3mm MINIMUM SPACE AWAY FROM THE FIREBOX



100 SERIES BLOCK

ALLOW FINISHING ON FLOOR PROTECTOR

NOTE:
WARMINGTON CAITEC AIR IS REQUIRED
SEE SPECIFIC INSTALL INSTRUCTION



Warmington Industries Ltd.	
PH: 09 273 9227 FAX: 09 273 9241 WEB: www.warmington.co.nz	
TITLE	WARMINGTON EVOQUE 1300 OPEN WOOD FIRE
DRAWN	SAJAN KAMBOJ
DATE	27/09/19
SCALE	REVISION